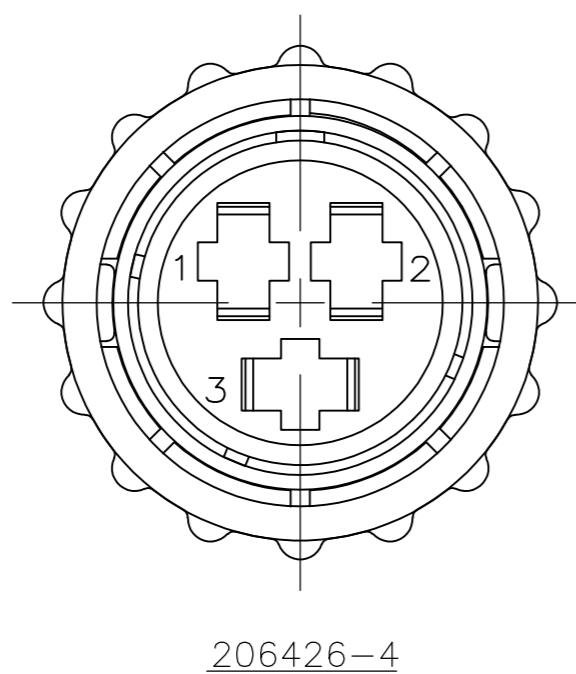
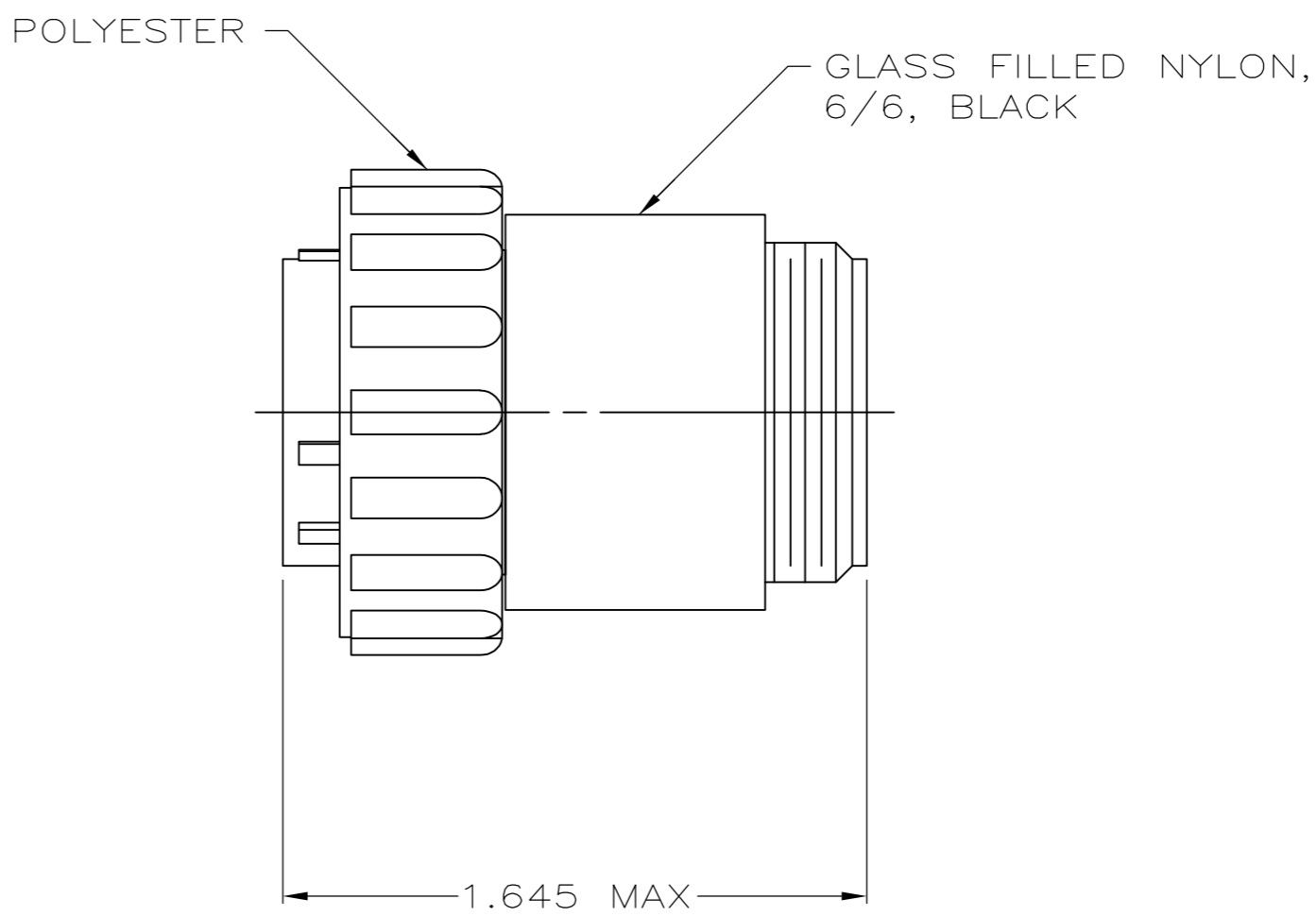
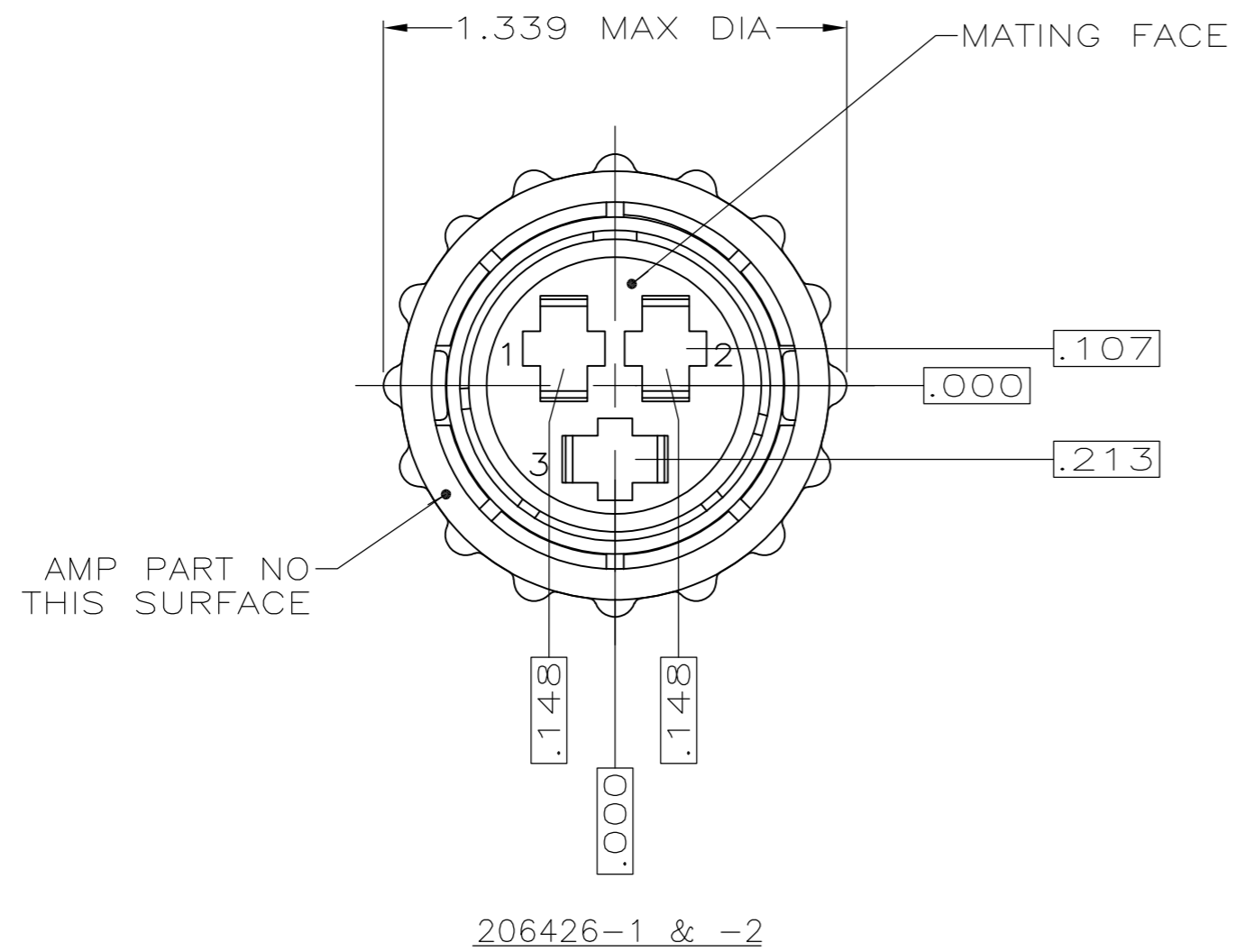


THIS DRAWING IS UNPUBLISHED. RELEASED FOR PUBLICATION
 © COPYRIGHT - By - ALL RIGHTS RESERVED.

LOC		DIST		REVISIONS			
P	LTR	DESCRIPTION	DATE	DWN	APVD		
FT	0						
F2		REVISED PER ECO-11-004820	11MAR11	RK	HMR		



B	BLACK	VALOX	206426-4
A	GRAY	NORYL	206426-2
A	BLACK	VALOX	206426-1
KEYING STYLE	COUPLING RING COLOR	COUPLING RING MATL	PART NUMBER

- CONTACT CAVITIES IDENTIFIED BY CHARACTERS ON FRONT AND REAR FACES OF CONNECTOR.
- WILL ACCEPT (3) TYPE XII PIN CONTACTS.

THIS DRAWING IS A CONTROLLED DOCUMENT.		DWN	S.RIDGLEY	BG	8/2/90	TE TE Connectivity	
DIMENSIONS: INCHES		CHK	R.STONE		04/26/91		
TOLERANCES UNLESS OTHERWISE SPECIFIED:		APVD		-		NAME	
0 PLC ± -		PRODUCT SPEC		-		PLUG ASSEMBLY, SHELL SIZE 17, REVERSE SEX, SERIES 3, CPC	
1 PLC ± -		APPLICATION SPEC		-		SIZE	
2 PLC ± -		WEIGHT		-		CAGE CODE	
3 PLC ± -		MATERIAL		SEE		DRAWING NO	
4 PLC ± -		FINISH		-		RESTRICTED TO	
ANGLES ± -		CUSTOMER DRAWING		A2 00779		C=206426	
SCALE		SHEET		1 of 1		REV	
2:1		F2					