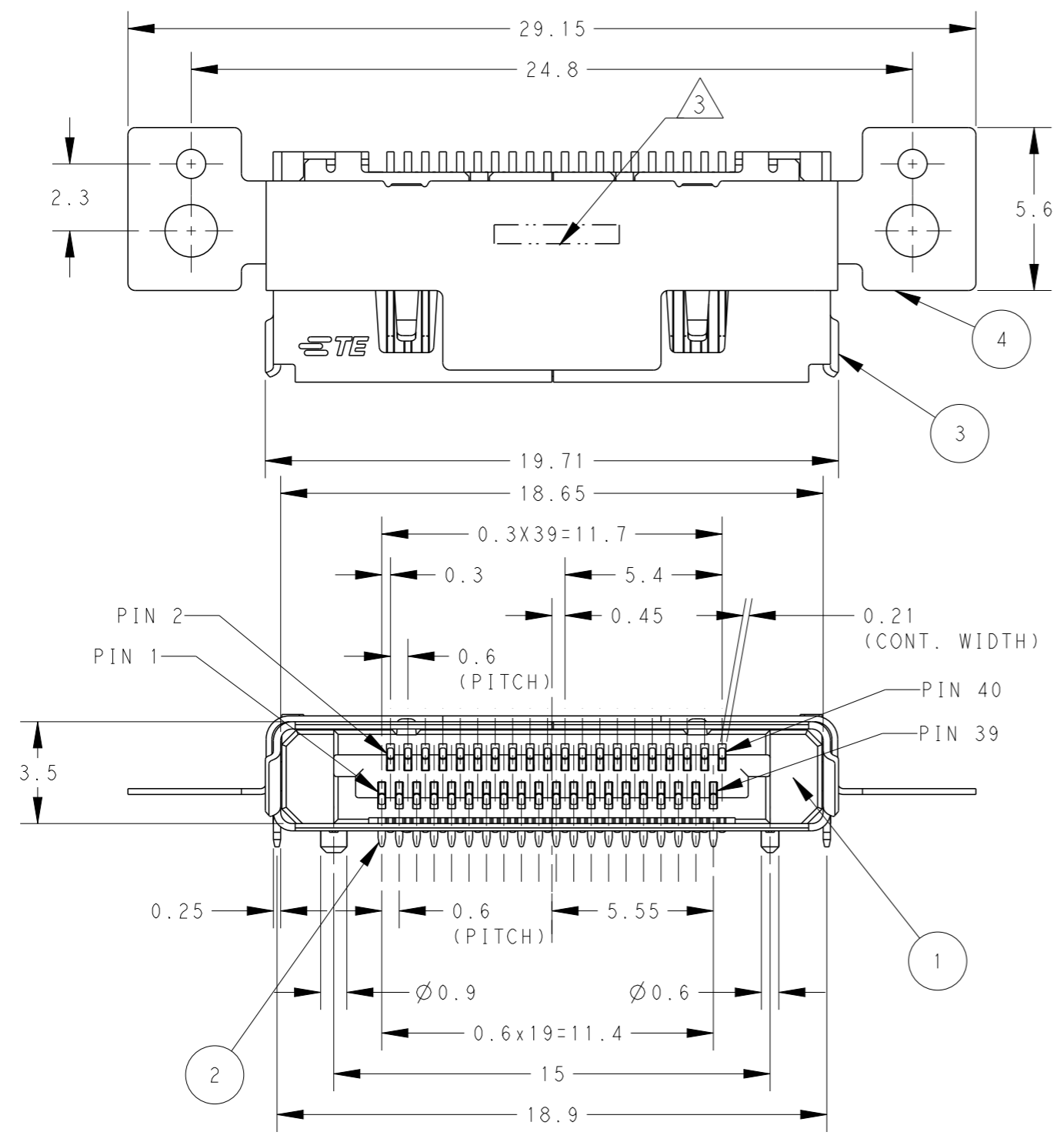


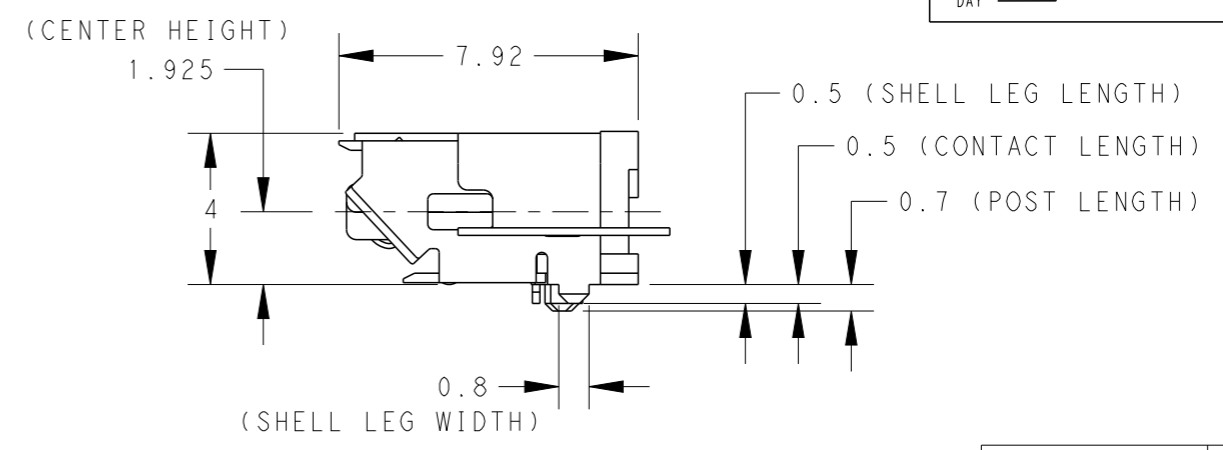
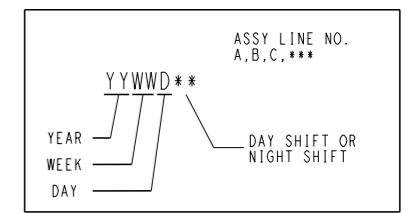
THIS DRAWING IS UNPUBLISHED. RELEASED FOR PUBLICATION 20
 © COPYRIGHT 20 BY - ALL RIGHTS RESERVED.

LOC	DIST	REVISIONS			
P	LTR	DESCRIPTION	DATE	DWN	APVD
	A	RELEASED	25NOV2011	T.K	H.K
	A1	REVISED (ECR-12-003980)	01MAR2012	T.K	H.K



2129364-1, 1-2129364-1; AS SHOWN

- ① MATERIAL:
 HOUSING: THERMO-PLASTIC (UL94V-0, BLACK).
 CONTACT: COPPER ALLOY.
 SHELL: STAINLESS STEEL.
 BRACKET: STAINLESS STEEL.
- ② FINISH:
 CONTACT: ALL OVER 2um MIN. Ni UNDER PLATING.
 0.254um MIN. Au PLATING ON CONTACT AREA.
 1~3um Tin PLATING ON TINE AREA.
 SHELL: ALL OVER 1.3um MIN. Ni UNDER PLATING (FOR 2129364-1, -2).
 ALL OVER 0.5um MIN. BLACK-Ni UNDER PLATING (FOR 1-2129364-1).
- ③ DATE CODE



WITH BRACKET

BLACK-Ni	1-2129364-1
Ni	2129364-1
FINISH	PART NUMBER
1	BRACKET ④
1	SHELL ③
40	CONTACT ②
1	HOUSING ①
Q'TY	NAME ITEM

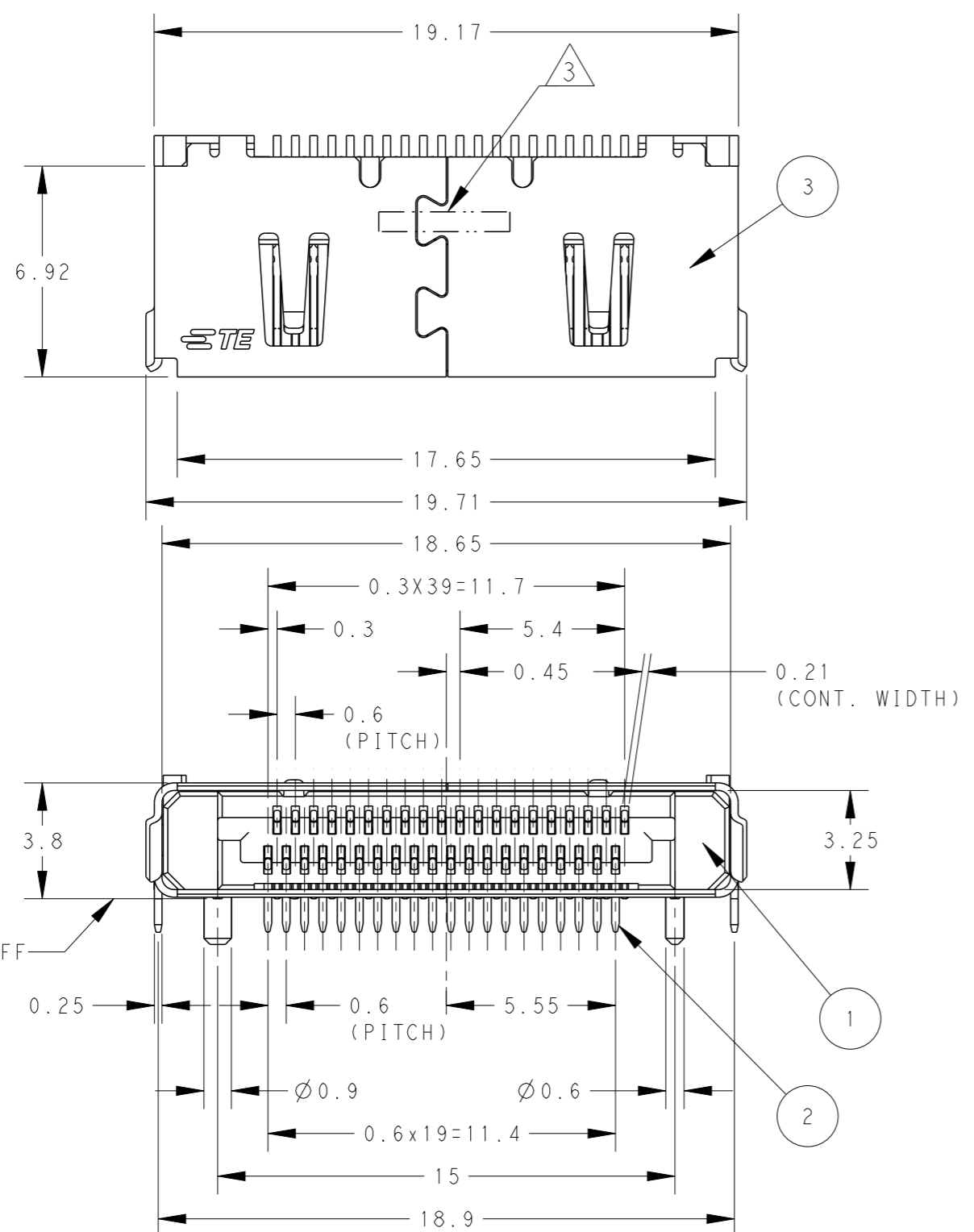
VIEW A

THIS DRAWING IS A CONTROLLED DOCUMENT.		DWN T. KUO 25NOV2011	TE Connectivity RECEPTACLE ASSY, 0.6mm PITCH CHAMP DOCKING CONNECTOR, 40POS			
DIMENSIONS: mm		CHK V. PENG 25NOV2011				
TOLERANCES UNLESS OTHERWISE SPECIFIED:		APVD H. KODAMA 25NOV2011				
0 PLC ± 1 PLC ±0.25 2 PLC ±3° 3 PLC ± 4 PLC ± ANGLES ±		PRODUCT SPEC 108-99033				
MATERIAL ①	FINISH ②	APPLICATION SPEC	SIZE A3	CAGE CODE 00779	DRAWING NO C-2129364	RESTRICTED TO
CUSTOMER DRAWING		WEIGHT 1.08g	SCALE 5:1	SHEET 1 OF 6	REV A1	

LOC DW DIST

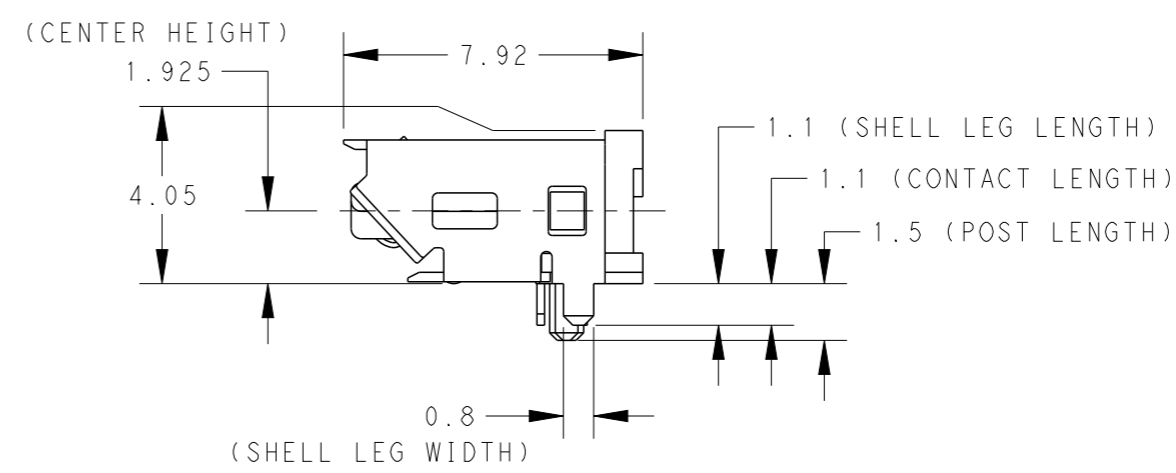
REVISIONS

P	LTR	DESCRIPTION	DATE	DWN	APVD
-	-	SEE SHEET 1	-	-	-



2129364-2; AS SHOWN

WITHOUT BRACKET



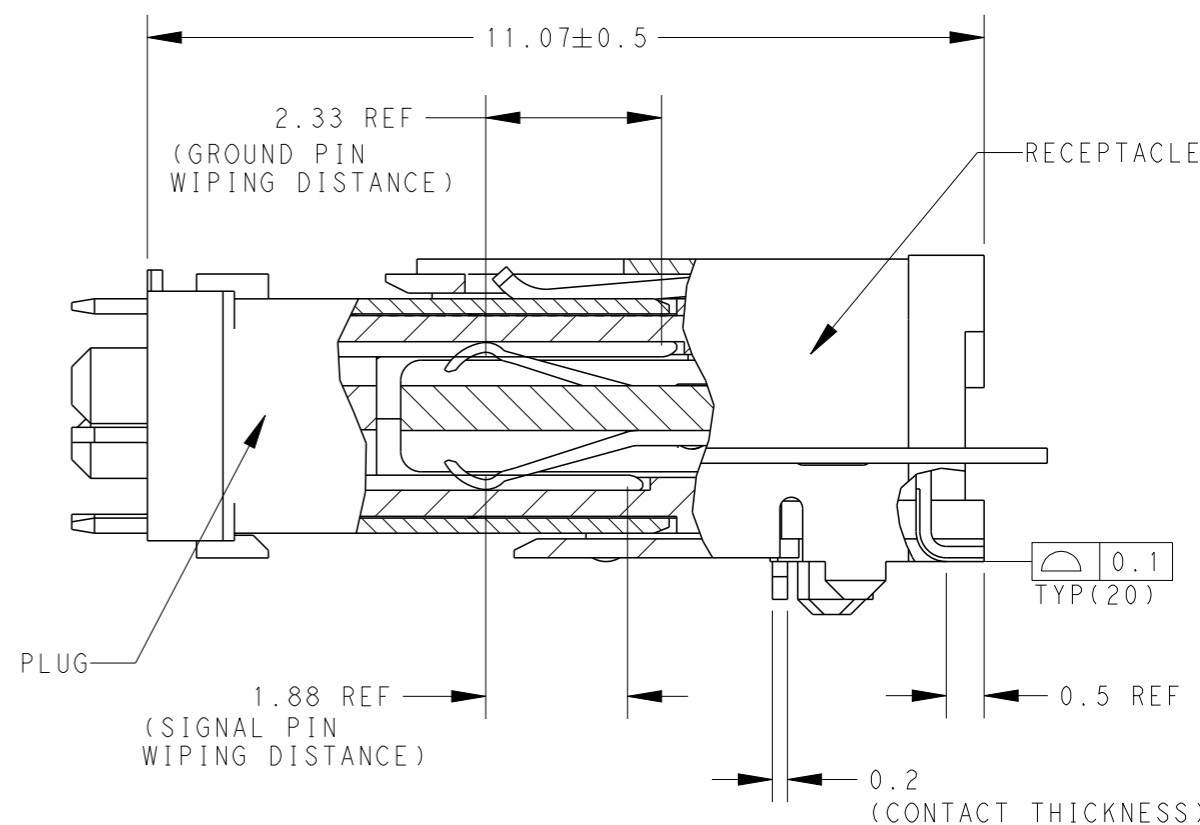
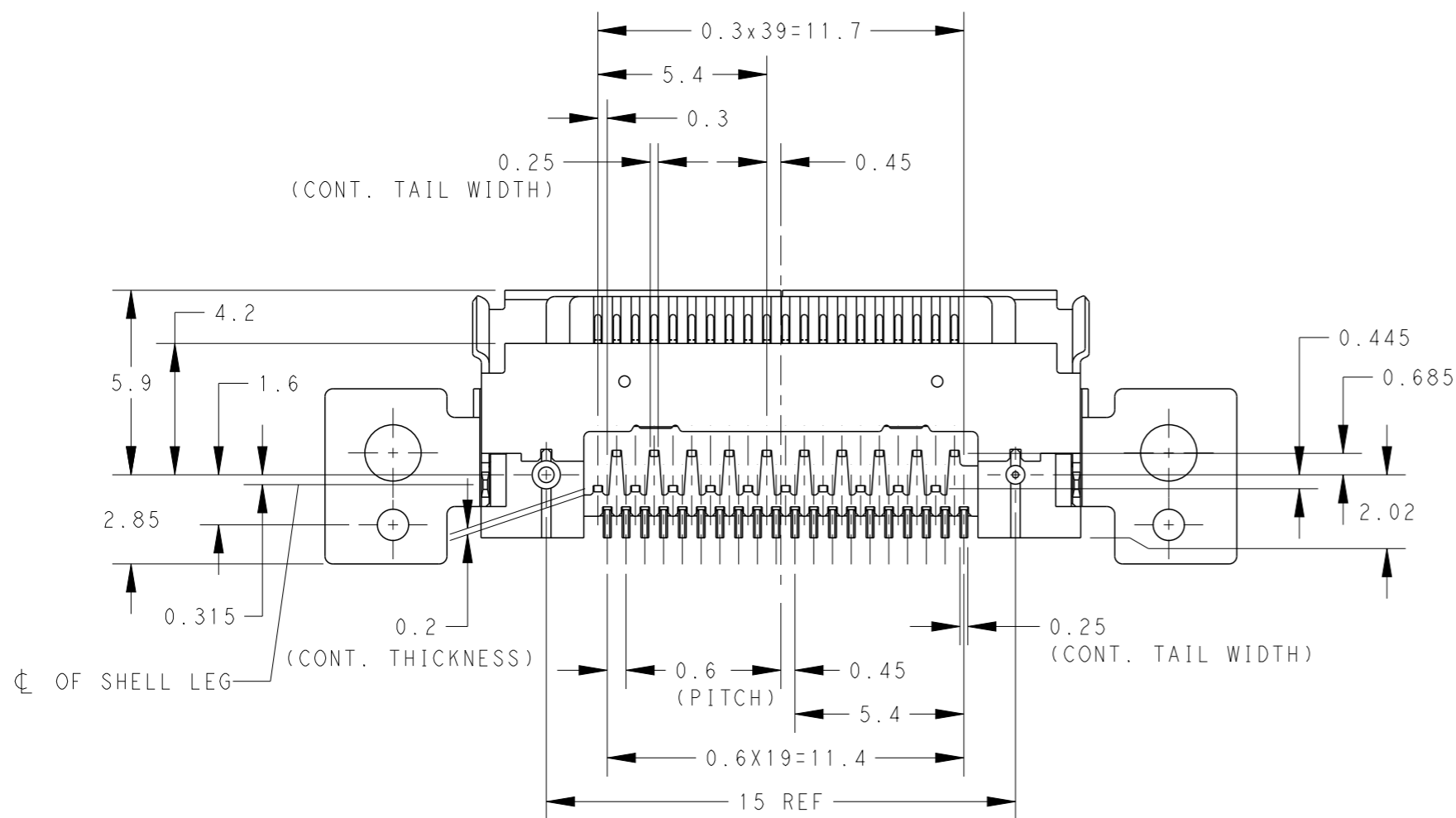
Q'TY	NAME	ITEM
1	SHELL	③
40	CONTACT	②
1	HOUSING	①

THIS DRAWING IS A CONTROLLED DOCUMENT.		DWN	-	STE TE Connectivity
DIMENSIONS: mm		CHK	-	
TOLERANCES UNLESS OTHERWISE SPECIFIED:		APVD	-	
0 PLC ±- 1 PLC ±- ±0.25 2 PLC ±- ±3° 3 PLC ±- 4 PLC ±- ANGLES ±- FINISH -		PRODUCT SPEC	-	
MATERIAL		APPLICATION SPEC	-	NAME RECEPTACLE ASSY, 0.6mm PITCH CHAMP DOCKING CONNECTOR, 40POS
		WEIGHT	0.83g	SIZE CAGE CODE DRAWING NO RESTRICTED TO A300779 C-2129364
		CUSTOMER DRAWING	SCALE 5:1	SHEET 2 OF 6 REV A1

LOC DW DIST

REVISIONS

P	LTR	DESCRIPTION	DATE	DWN	APVD
-	-	SEE SHEET 1	-	-	-



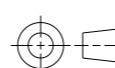
MATING CONDITION

SCALE 10:1

VIEW A
2129364-2 IS SAME AS 2129364-1

THIS DRAWING IS A CONTROLLED DOCUMENT.

DIMENSIONS:
mm



TOLERANCES UNLESS OTHERWISE SPECIFIED:

0 PLC	±	±0.25
1 PLC	±	±0.25
2 PLC	±	±3°
3 PLC	±	±
4 PLC	±	±
ANGLES	±	±
FINISH	-	-

MATERIAL

DWN	-
CHK	-
APVD	-
PRODUCT SPEC	-
APPLICATION SPEC	-
WEIGHT	-



TE Connectivity

NAME
RECEPTACLE ASSY, 0.6mm PITCH
CHAMP DOCKING CONNECTOR, 40POS

SIZE A3 CAGE CODE 00779 DRAWING NO C-2129364

RESTRICTED TO

CUSTOMER DRAWING

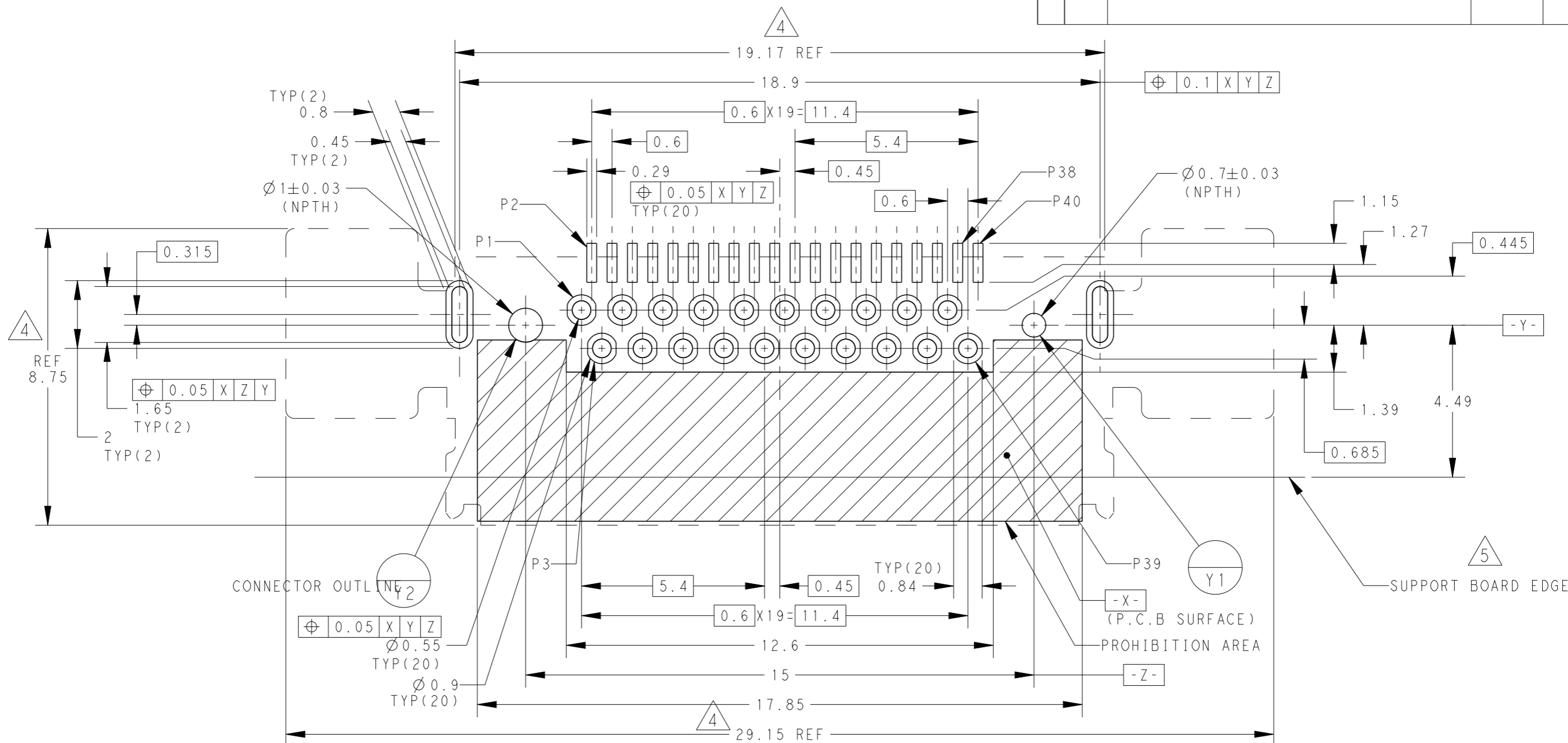
SCALE 5:1

SHEET 3 OF 6

REV A1

P	LTR	DESCRIPTION	DATE	DWN	APVD
-	-	SEE SHEET 1	-	-	-

2129364-2 IS SAME AS 2129364-1



RECOMMENDED P.C. BOARD LAYOUT (TOP VIEW)

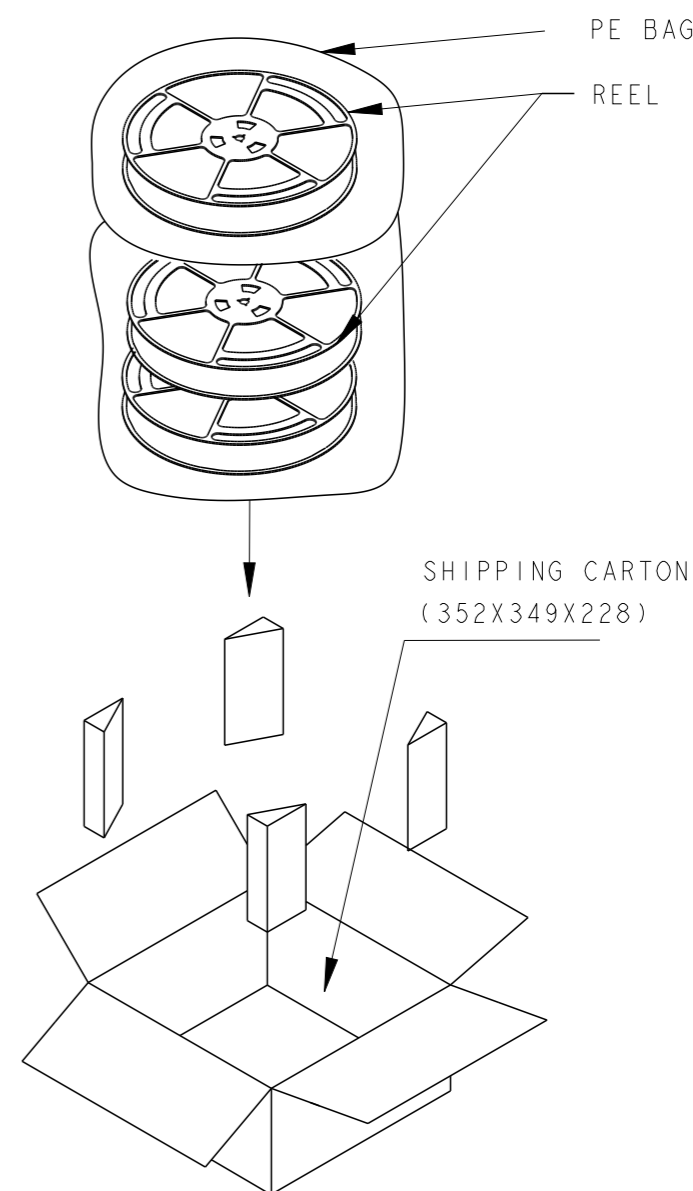
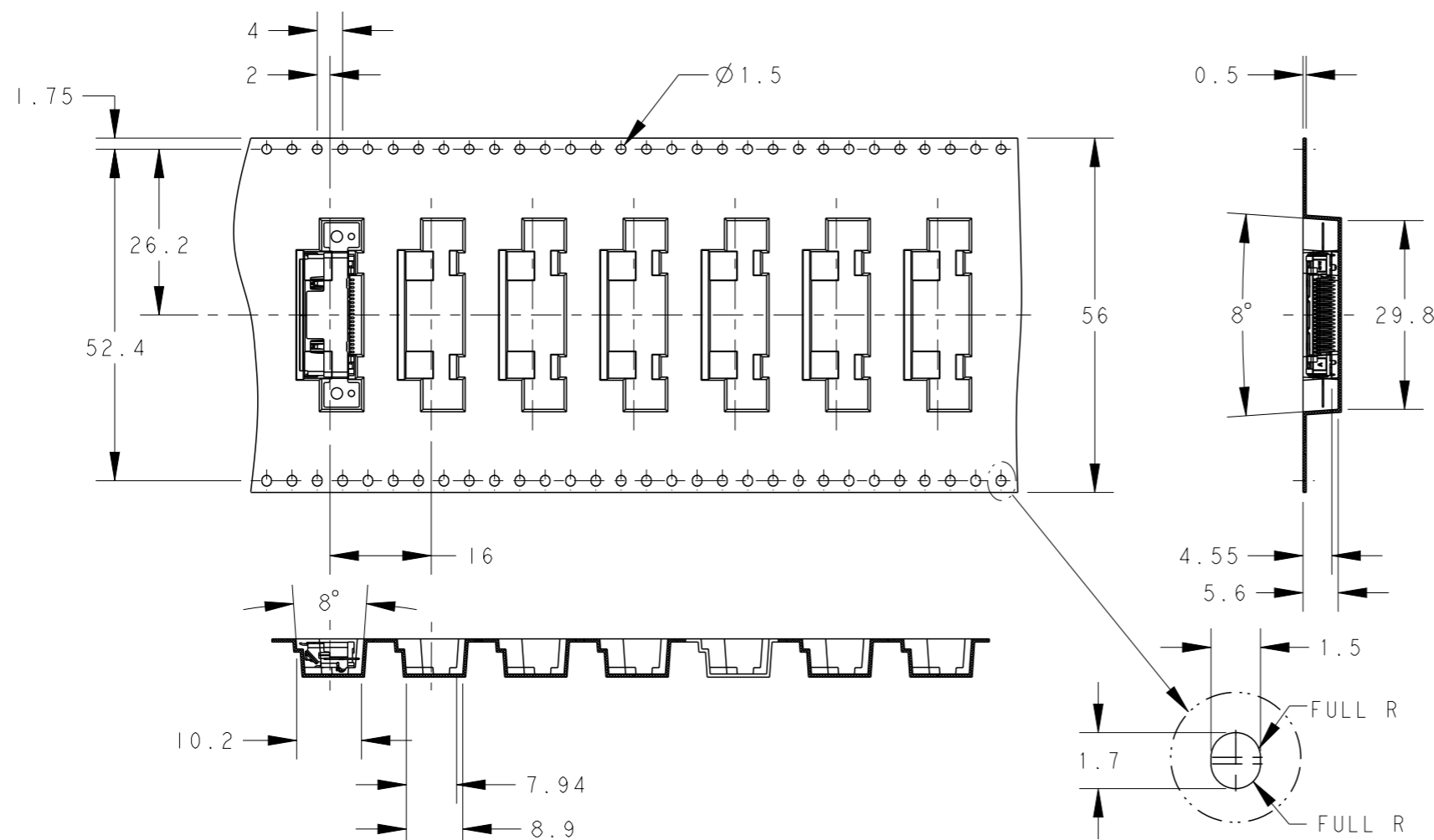
4 CONNECTOR OUTLINE
5 SUPPORT BOARD EDGE

THIS DRAWING IS A CONTROLLED DOCUMENT.		DWN	TE Connectivity			
DIMENSIONS: mm		CHK				
TOLERANCES UNLESS OTHERWISE SPECIFIED:		APVD				
0 PLC ±- 1 PLC ±- ±0.05 2 PLC ±- ±3° 3 PLC ±- 4 PLC ±- ANGLES ±- FINISH -		PRODUCT SPEC				
MATERIAL		APVD	NAME RECEPTACLE ASSY, 0.6mm PITCH CHAMP DOCKING CONNECTOR, 40POS			
		APPLICATION SPEC	SIZE	CAGE CODE	DRAWING NO	RESTRICTED TO
		WEIGHT	A3	00779	C-2129364	-
		CUSTOMER DRAWING	SCALE	SHEET	OF	REV
			8:1	4	6	A1

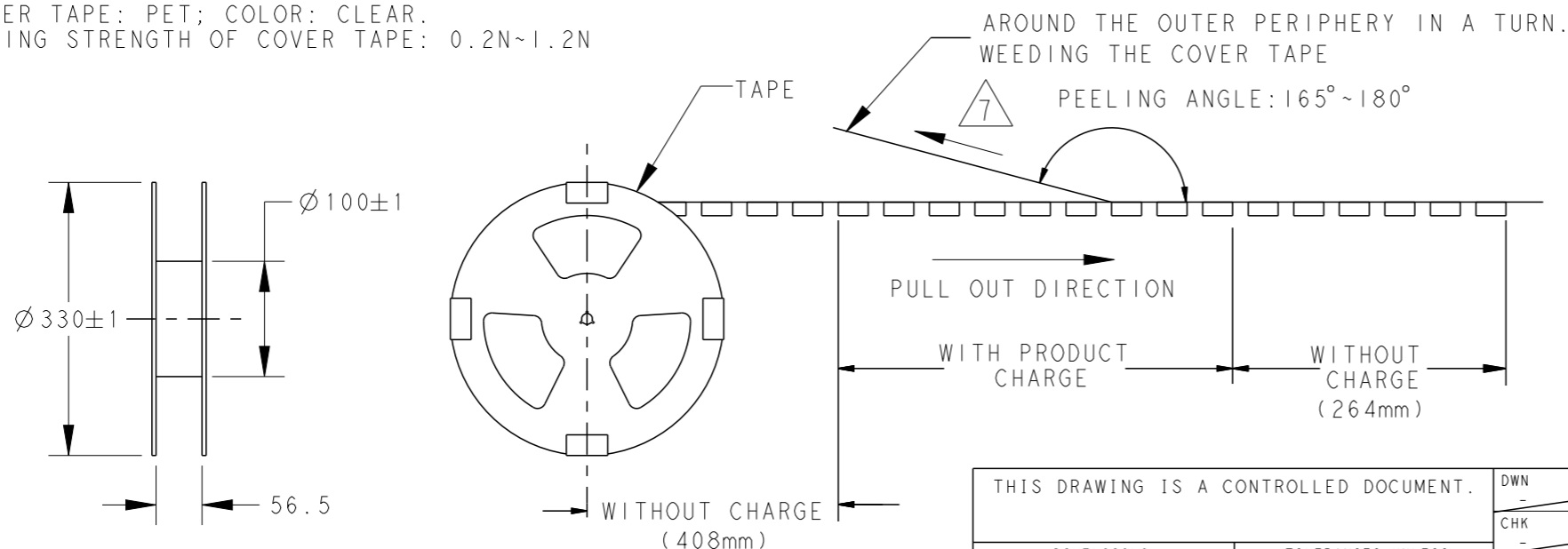
LOC DW DIST

REVISIONS

P	LTR	DESCRIPTION	DATE	DWN	APVD
-	-	SEE SHEET 1	-	-	-



6. PACKING MATERIAL:
 CARRY TAPE: PS; COLOR: BLACK.
 COVER TAPE: PET; COLOR: CLEAR.
 PEELING STRENGTH OF COVER TAPE: 0.2N~1.2N



1-2129364-1	600	3	1800
2129364-1	600	3	1800
P/N	PCS/TAPE	REELS/CARTON	TOTAL QUANTITY

THIS DRAWING IS A CONTROLLED DOCUMENT.

DWN	-
CHK	-
APVD	-
PRODUCT SPEC	-
APPLICATION SPEC	-
WEIGHT	-

STE TE Connectivity

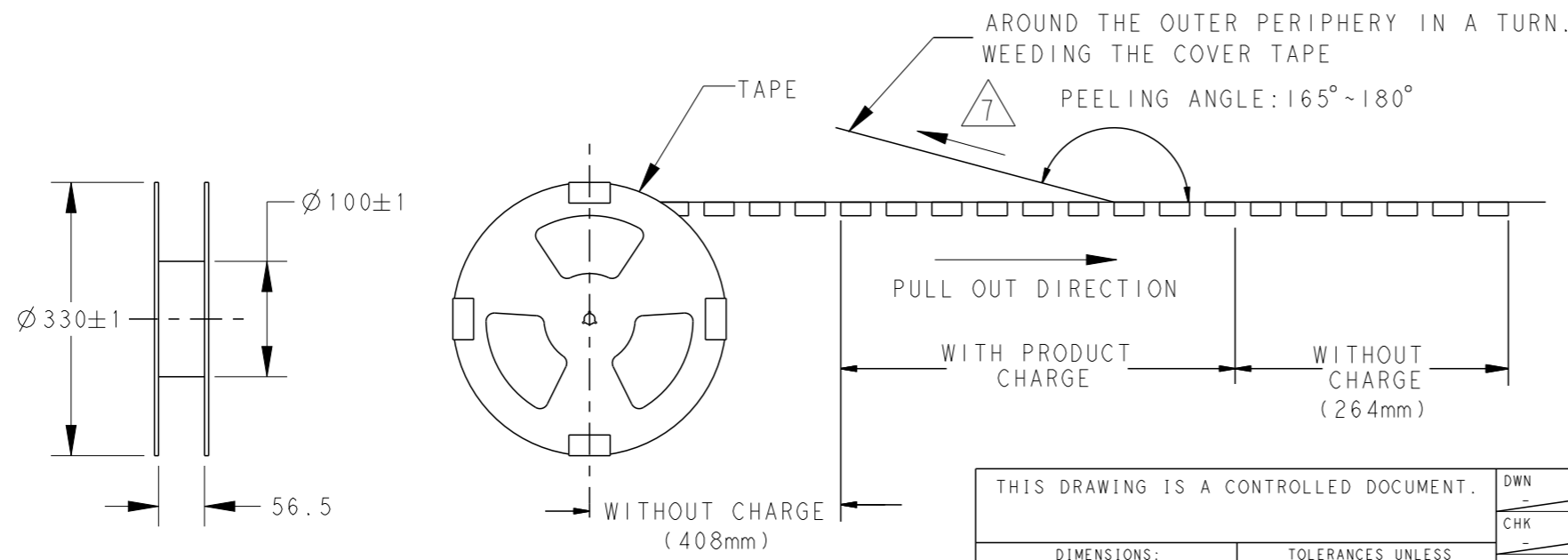
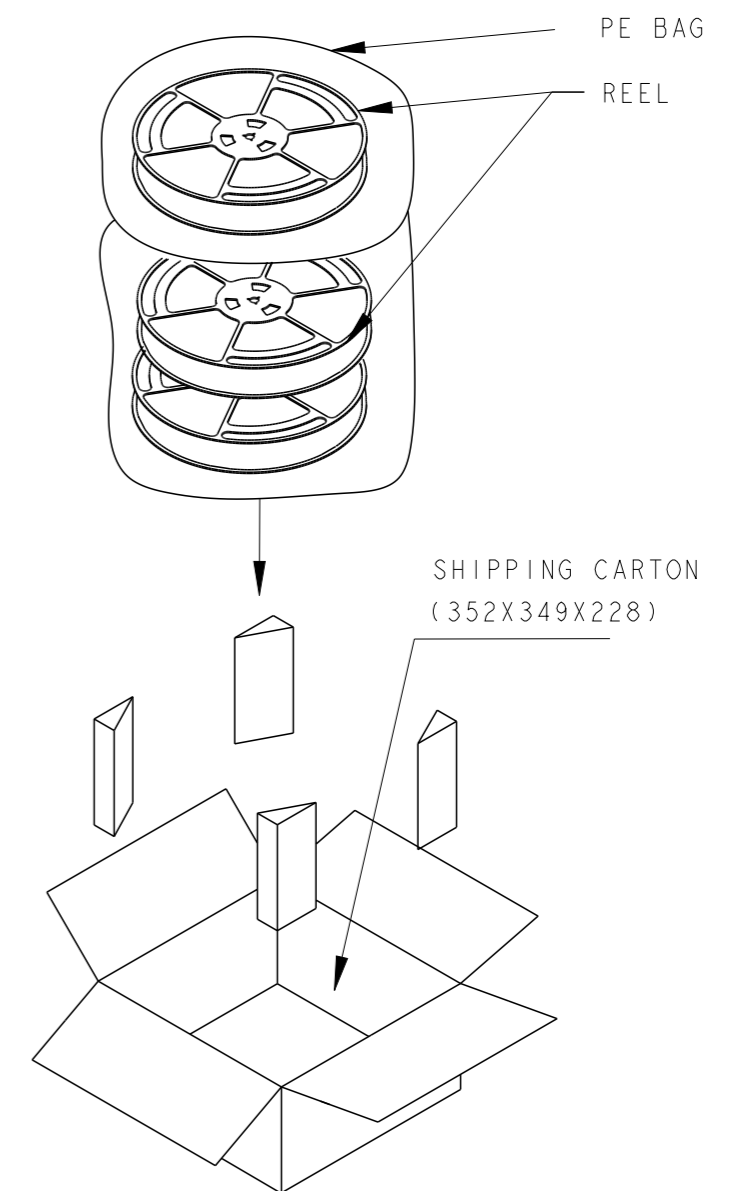
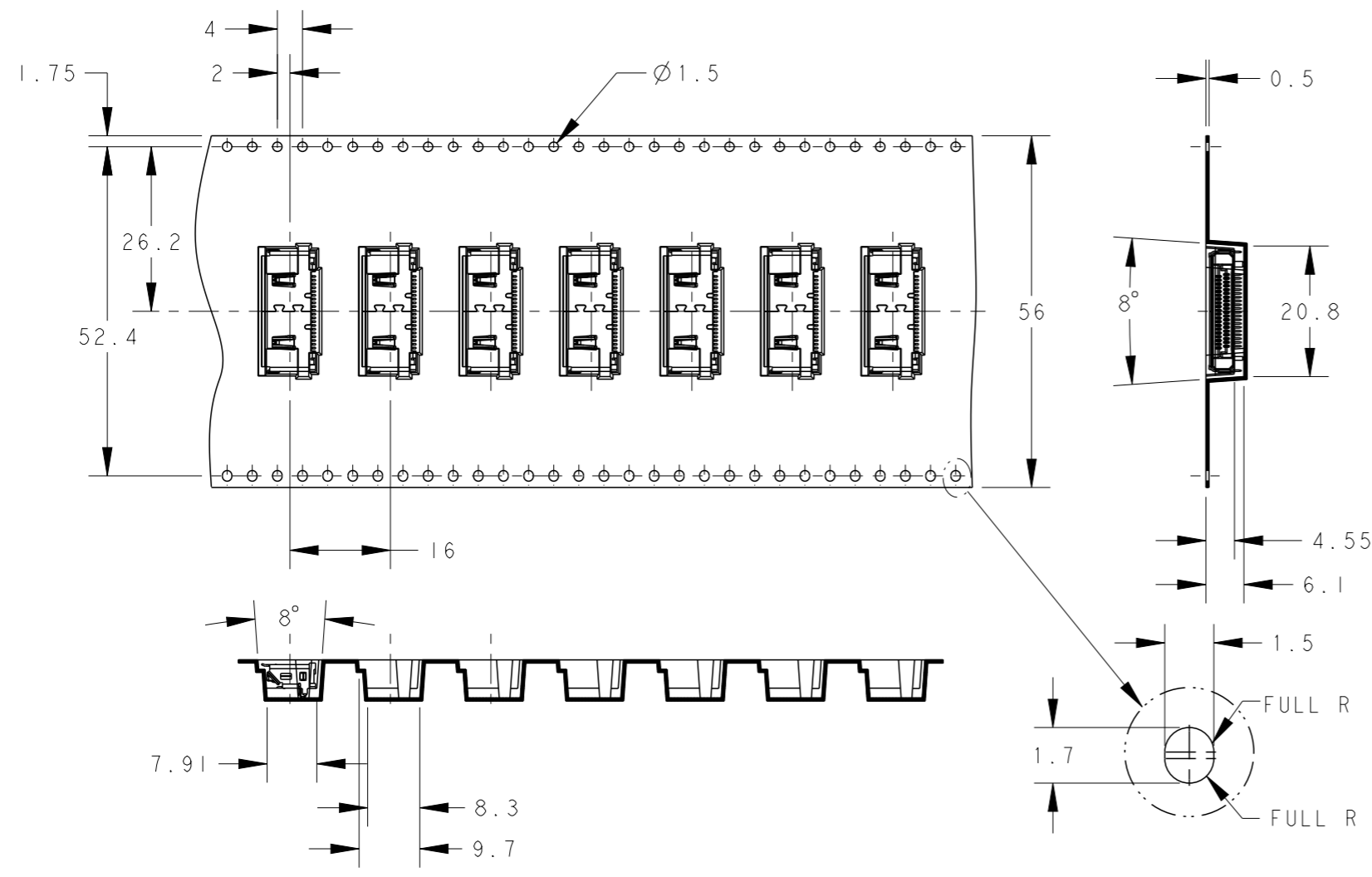
NAME: RECEPTACLE ASSY, 0.6mm PITCH CHAMP DOCKING CONNECTOR, 40POS

SIZE	CAGE CODE	DRAWING NO	RESTRICTED TO
A3	00779	C-2129364	-

CUSTOMER DRAWING SCALE: FREE SHEET 5 OF 6 REV A1

THIS DRAWING IS UNPUBLISHED. RELEASED FOR PUBLICATION 20
 © COPYRIGHT 20 BY - ALL RIGHTS RESERVED.

LOC		DIST		REVISIONS				
P	LTR	DESCRIPTION	DATE	DWN	APVD			
		SEE SHEET 1	-	-	-			



2129364-2	600	3	1800
P/N	PCS/TAPE	REELS/CARTON	TOTAL QUANTITY

THIS DRAWING IS A CONTROLLED DOCUMENT.

DIMENSIONS: mm	TOLERANCES UNLESS OTHERWISE SPECIFIED:	DWN	-
0 PLC	±	CHK	-
1 PLC	±	APVD	-
2 PLC	± ±0.5	PRODUCT SPEC	-
3 PLC	± ±3°	APPLICATION SPEC	-
4 PLC	±	WEIGHT	-
ANGLES	±	TE Connectivity NAME: RECEPTACLE ASSY, 0.6mm PITCH CHAMP DOCKING CONNECTOR, 40POS	
FINISH	-	SIZE	A3
MATERIAL	-	CAGE CODE	00779
		DRAWING NO	C-2129364
		RESTRICTED TO	-

CUSTOMER DRAWING SCALE: FREE SHEET 6 OF 6 REV A1