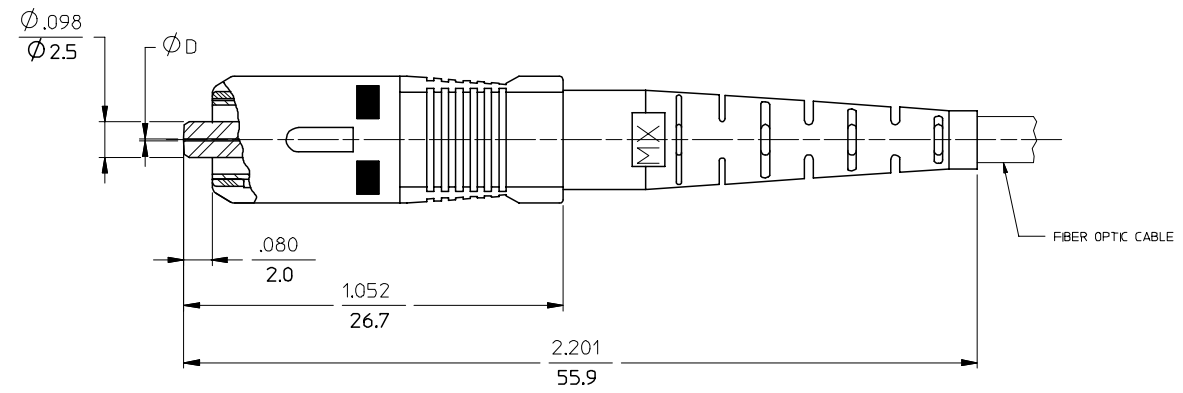
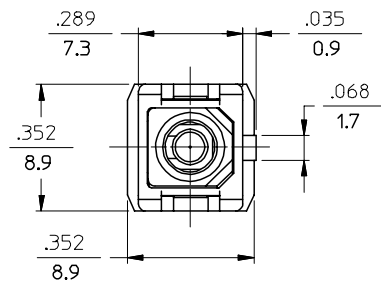


13 12 11 10 9 8 7 6 5 4 3 2 1

J
I
H
G
F
E
D
C
B
A



NOTES:

- 1. ALL DIMENSIONS ARE FOR REFERENCE ONLY.
- *2. P/NS 106032-5020, 106032-0140, 106032-5310, 106032-5990 AND 106032-0910 ARE BULK PACKED IN QUANTITIES OF 100 pcs.

ENTER DESCRIPTION EC NO: MF2007-0445 DRAWN BY: RPACIFICI CHKD: RPACIFICI APPR: JGUMIN REVISION: B1	QUALITY SYMBOLS ▽=0 ▽=0	GENERAL TOLERANCES (UNLESS SPECIFIED)		DIMENSION STYLE IN/MM	SCALE 4:1	DESIGN UNITS INCH	THIRD ANGLE PROJECTION
		4 PLACES ± --- ± --- 3 PLACES ± --- ± --- 2 PLACES ± --- ± --- 1 PLACE ± --- ± ---	mm INCH	DRAWN BY: RPACIFICI DATE: 2005/12/22	TITLE: SC CONNECTOR (TUNABLE)		
		ANGULAR ±1/2°	CHECKED BY: _____ DATE: _____	APPROVED BY: _____ DATE: _____	MOLEX INCORPORATED		
		DRAFT WHERE APPLICABLE MUST REMAIN WITHIN DIMENSIONS	MATERIAL NO. SEE TABLE SIZE: C	DOCUMENT NO. SD-106032-XXX0	SHEET NO. 1 OF 3		

12 11 10 9 8 7 6 5 4 3 2 1

10	9	8	7	6	5	4	3	2	1						
CONNECTOR P/N	Ø (Hm)	BOOT COLOR	HOUSING COLOR	CONNECTOR TYPE	CABLE (mm)	CONNECTOR P/N	Ø (Hm)	BOOT COLOR	HOUSING COLOR	CONNECTOR TYPE	CABLE (mm)				
106032-0000	127	BLUE	BLUE	MULTIMODE	3	106032-3000	128	BLUE	BLUE	MULTIMODE	3				
106032-0900					2.0 & 1.6 DUPLEX	106032-3900					2.0 & 1.6 DUPLEX				
106032-0100					1.6 SIMPLEX	106032-3100					1.6 SIMPLEX				
106032-0050					3	106032-3060					3				
106032-0950		WHITE	BEIGE		2.0 & 1.6 DUPLEX	106032-3960		2.0 & 1.6 DUPLEX							
106032-0150					1.6 SIMPLEX	106032-3160		1.6 SIMPLEX							
106032-0060					3	106032-3050		3							
106032-0910*					2.0 & 1.6 DUPLEX	106032-3950		2.0 & 1.6 DUPLEX							
106032-0960		BEIGE	BEIGE		MULTIMODE	1.6 SIMPLEX		106032-3150	1.6 SIMPLEX						
106032-0140*						3		106032-3080	3						
106032-0160						2.0 & 1.6 DUPLEX		106032-3980	2.0 & 1.6 DUPLEX						
106032-0080						1.6 SIMPLEX		106032-3180	1.6 SIMPLEX						
106032-0980		RED	RED		MULTIMODE	2.0 & 1.6 DUPLEX		106032-3070	3						
106032-0180						1.6 SIMPLEX		106032-3970	2.0 & 1.6 DUPLEX						
106032-0070						3		106032-3170	1.6 SIMPLEX						
106032-0970						2.0 & 1.6 DUPLEX									
106032-0170		1.6 SIMPLEX													
106032-2000		125.5	YELLOW		BLUE	SINGLE MODE		3							
106032-2900								2.0 & 1.6 DUPLEX							
106032-2100								1.6 SIMPLEX							
106032-2050	3														
106032-2950	WHITE		BLUE	SINGLE MODE	2.0 & 1.6 DUPLEX										
106032-2150					1.6 SIMPLEX										
106032-2080					3										
106032-2980					2.0 & 1.6 DUPLEX										
106032-2180	RED		RED		SINGLE MODE		1.6 SIMPLEX								
106032-2070							3								
106032-2970							2.0 & 1.6 DUPLEX								
106032-2170							1.6 SIMPLEX								
	BLACK	BLACK	SINGLE MODE			2.0 & 1.6 DUPLEX									
						3									
						2.0 & 1.6 DUPLEX									
						1.6 SIMPLEX									

ENTER DESCRIPTION EC NO: MF2007-0445 DRWNGKPEVZNER 2007/01/12 CHKD: 2007/01/12 APPR: IGUMIN 2007/01/15 REV B1	QUALITY SYMBOLS ▽=0 ▽=0	GENERAL TOLERANCES (UNLESS SPECIFIED) <table border="1"> <tr> <th></th> <th>mm</th> <th>INCH</th> </tr> <tr> <td>4 PLACES</td> <td>± ---</td> <td>± ---</td> </tr> <tr> <td>3 PLACES</td> <td>± ---</td> <td>± ---</td> </tr> <tr> <td>2 PLACES</td> <td>± ---</td> <td>± ---</td> </tr> <tr> <td>1 PLACE</td> <td>± ---</td> <td>± ---</td> </tr> </table>		mm	INCH	4 PLACES	± ---	± ---	3 PLACES	± ---	± ---	2 PLACES	± ---	± ---	1 PLACE	± ---	± ---	DIMENSION STYLE IN/MM DRAWN BY: RPACIFICI DATE: 2005/12/22 CHECKED BY: DATE:	SCALE 4:1	DESIGN UNITS INCH	THIRD ANGLE PROJECTION
		mm	INCH																		
	4 PLACES	± ---	± ---																		
	3 PLACES	± ---	± ---																		
2 PLACES	± ---	± ---																			
1 PLACE	± ---	± ---																			
DRAFT WHERE APPLICABLE MUST REMAIN WITHIN DIMENSIONS		APPROVED BY: DATE:	TITLE SC CONNECTOR (TUNABLE)																		
		MATERIAL NO. SEE TABLE	DOCUMENT NO. SD-106032-XXX0			SHEET NO. 2 OF 3															
		THIS DRAWING CONTAINS INFORMATION THAT IS PROPRIETARY TO MOLEX INCORPORATED AND SHOULD NOT BE USED WITHOUT WRITTEN PERMISSION																			

10	9	8	7	6	5	4	3	2	1		
CONNECTOR P/N	Ø (Mm)	BOOT COLOR	HOUSING COLOR	CONNECTOR TYPE	CABLE (mm)	CONNECTOR P/N	Ø (Mm)	BOOT COLOR	HOUSING COLOR	CONNECTOR TYPE	CABLE (mm)
106032-4000	125	YELLOW	BLUE	SINGLE MODE	3	106032-6000	125.5	YELLOW	BLUE	SINGLE MODE	3
106032-4900					2.0 & 1.6 DUPLEX	106032-6900					2.0 & 1.6 DUPLEX
106032-4100					1.6 SIMPLEX	106032-6100					1.6 SIMPLEX
106032-4050					3	106032-7000					3
106032-4950					2.0 & 1.6 DUPLEX	106032-7900					2.0 & 1.6 DUPLEX
106032-4150					1.6 SIMPLEX	106032-7100					1.6 SIMPLEX
106032-4080		WHITE	RED		3	106032-7050	3				
106032-4980					2.0 & 1.6 DUPLEX	106032-7950	2.0 & 1.6 DUPLEX				
106032-4180					1.6 SIMPLEX	106032-7150	1.6 SIMPLEX				
106032-4070					3	106032-7080	3				
106032-4970					2.0 & 1.6 DUPLEX	106032-7980	2.0 & 1.6 DUPLEX				
106032-4170					1.6 SIMPLEX	106032-7180	1.6 SIMPLEX				
106032-5000	126	YELLOW	BLUE	3	106032-7070	127	WHITE	BLACK	SINGLE MODE	3	
106032-5020*				2.4	106032-7970					2.0 & 1.6 DUPLEX	
106032-5300				2.0 & 1.6 DUPLEX	106032-7170					1.6 SIMPLEX	
106032-5310*				1.6 SIMPLEX							
106032-5900				3							
106032-5990*				2.0 & 1.6 DUPLEX							
106032-5100		WHITE	RED	1.6 SIMPLEX							
106032-5050				3							
106032-5950				2.0 & 1.6 DUPLEX							
106032-5150				1.6 SIMPLEX							
106032-5080				3							
106032-5980				2.0 & 1.6 DUPLEX							
106032-5180	BLACK	BLACK	1.6 SIMPLEX								
106032-5070			3								
106032-5970			2.0 & 1.6 DUPLEX								
106032-5170			1.6 SIMPLEX								

ENTER DESCRIPTION EC NO: MF2007-0445 DRWNGKPEVNER 2007/01/12 CHKD: 2007/01/12 APPR: IGUMIN 2007/01/15	DESCRIPTION REV	QUALITY SYMBOLS ▽=0 ▽=0	GENERAL TOLERANCES (UNLESS SPECIFIED)		DIMENSION STYLE IN/MM		SCALE 4:1	DESIGN UNITS INCH	THIRD ANGLE PROJECTION
		4 PLACES ± --- ± --- 3 PLACES ± --- ± --- 2 PLACES ± --- ± --- 1 PLACE ± --- ± ---	mm INCH DRAWN BY DATE RPACIFICI 2005/12/22	TITLE SC CONNECTOR (TUNABLE)					
		ANGULAR ±1/2°	CHECKED BY DATE APPROVED BY DATE	MOLEX INCORPORATED					
		DRAFT WHERE APPLICABLE MUST REMAIN WITHIN DIMENSIONS	MATERIAL NO. SEE TABLE	DOCUMENT NO. SD-106032-XXX0	SHEET NO. 3 OF 03				