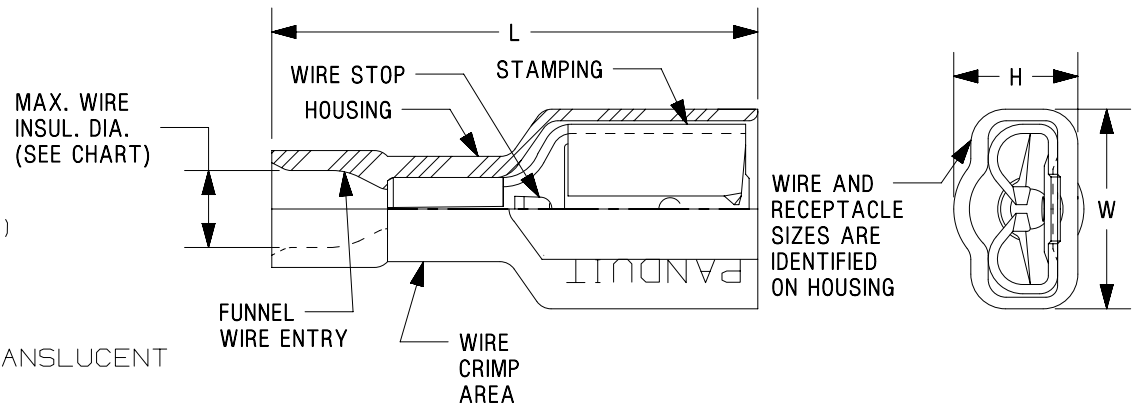


THIS COPY IS PROVIDED ON A RESTRICTED BASIS AND IS NOT TO BE USED IN ANY WAY DETRIMENTAL TO THE INTERESTS OF PANDUIT CORP.

PANDUIT PART #	WIRE RANGE AWG [mm ²]	TAB SIZE INCH [mm]	HOUSING COLOR	MAX. WIRE INSULATION DIA.	DIMENSIONS in. [mm]		
					L± [0,8]	W± [0,3]	H± [0,5]
EDNF18-250F1B	#22-18 [0,5-1,0]	.250 X .032 [6,3 X 0,8]	RED	.136 [3,6]	.84 [21,3]	.35 [8,9]	.22 [5,6]
EDNF18-188F1B		.187 X .020 [4,8 X 0,5]			.78 [19,8]	.29 [7,4]	.16 [4,1]
EDNF14-250F1B	#16-14 [1,5-2,5]	.250 X .032 [6,3 X 0,8]	BLUE	.160 [4,1]	.84 [21,3]	.35 [8,9]	.22 [5,6]
EDNF14-188F1B		.187 X .020 [4,8 X 0,5]			.78 [19,8]	.29 [7,4]	.18 [4,6]

NOTES:

- USED FOR:
 - STRANDED COPPER WIRE ONLY
 - 221°F [105°C] MAX OPERATING TEMP. (CSA)
 - 257°F [125°C] MAX OPERATING TEMP. (UL)
 - 600V. MAX. VOLTAGE RATING
- MATERIAL:
 - STAMPING: CDA 260 BRASS, TIN PLATED
 - HOUSING: TYPE 6/6 NYLON, COLOR IS TRANSLUCENT
- INSTALLATION TOOLS:
 - UL LISTED AND CSA CERTIFIED: CT-1525, CT-2500 (CT-2520CH)
 - PANDUIT APPROVED: CT-100A, CT-160, CT-260, CT-600A (CT-520CH)
- WIRE STRIP LENGTH $9/32'' \begin{matrix} +1/32 \\ -0 \end{matrix}$ [7.1mm $\begin{matrix} +0.8 \\ -0 \end{matrix}$]
- INITIAL INSERTION/WITHDRAW FORCE: 6-12 Lb [27-32 N]
- SEE www.panduit.com FOR PACKAGE QUANTITIES INDICATED BY PART NUMBER SUFFIX
- DIMENSIONS IN BRACKETS ARE METRIC EQUIVALENT



LISTED
587H
E78522



CERTIFIED
LR31212

TITLE STRONGHOLD FEMALE DISCONNECTS (188, 250 SERIES) NYLON FULLY INSULATED, FUNNEL ENTRY #22-14 AWG				
CUSTOMER DRAWING				
ITEM REVISION NAME 00123SHH/00		PANDUIT TM		
DATASET FILE NAME 00123SHH_DC/00				
UNLESS OTHERWISE SPECIFIED, DIMENSIONAL TOLERANCES ARE: IN [mm]				
.x ± .1 [2.54]		.xxx ± .005 [.127]		
.xx ± .01 [.25]		ANGLES ± 5 °		
DRAWN BY WJB		DATE 01.06.99		SCALE N.T.S.
REV		DATE		BY
DESCRIPTION		ECN		SIZE
00		2/18		JHNU TMR RGB RELEASED
00123SH				
DRAWING NUMBER: SH41196		SHEET 1 OF 1		A

D10100DA/12