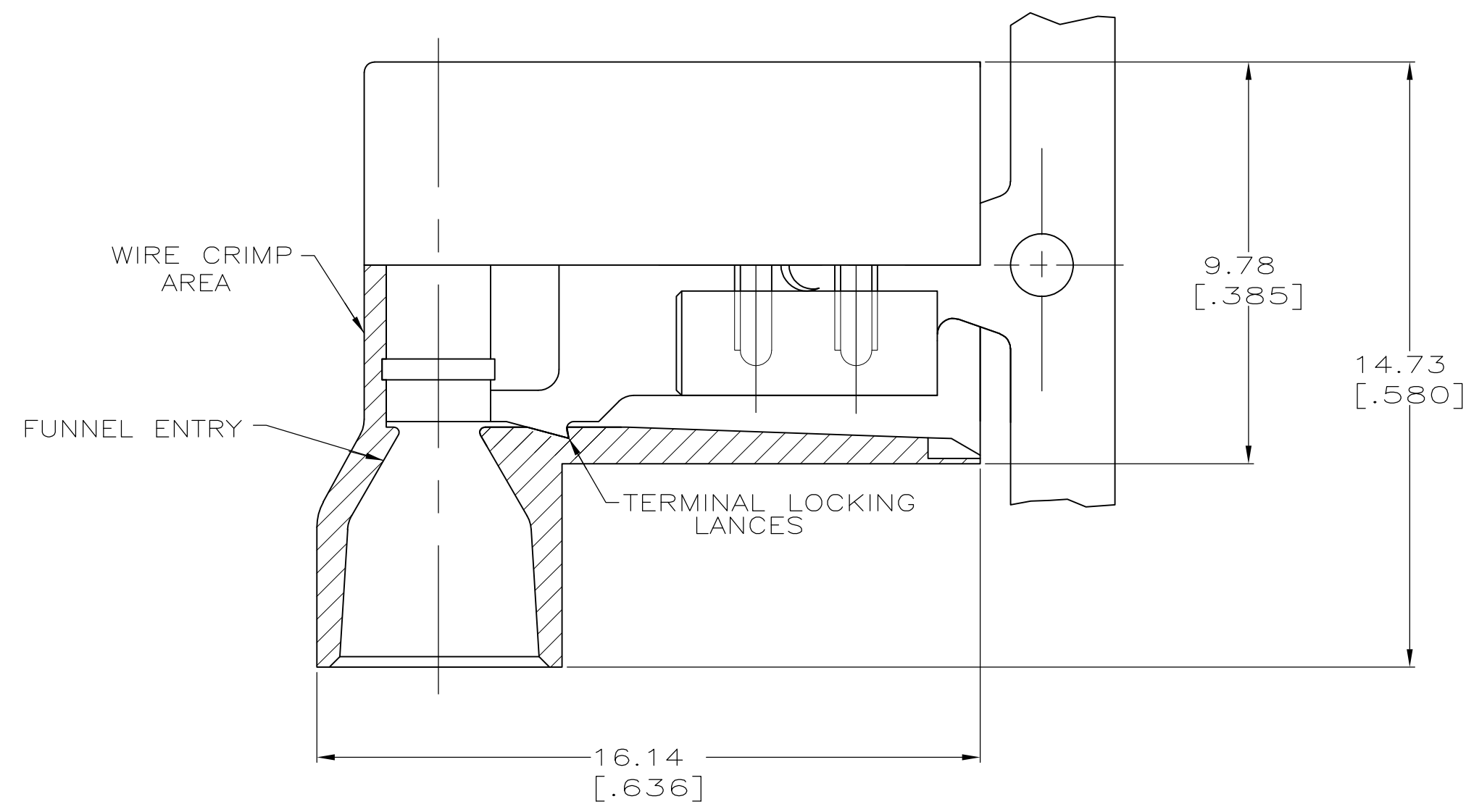
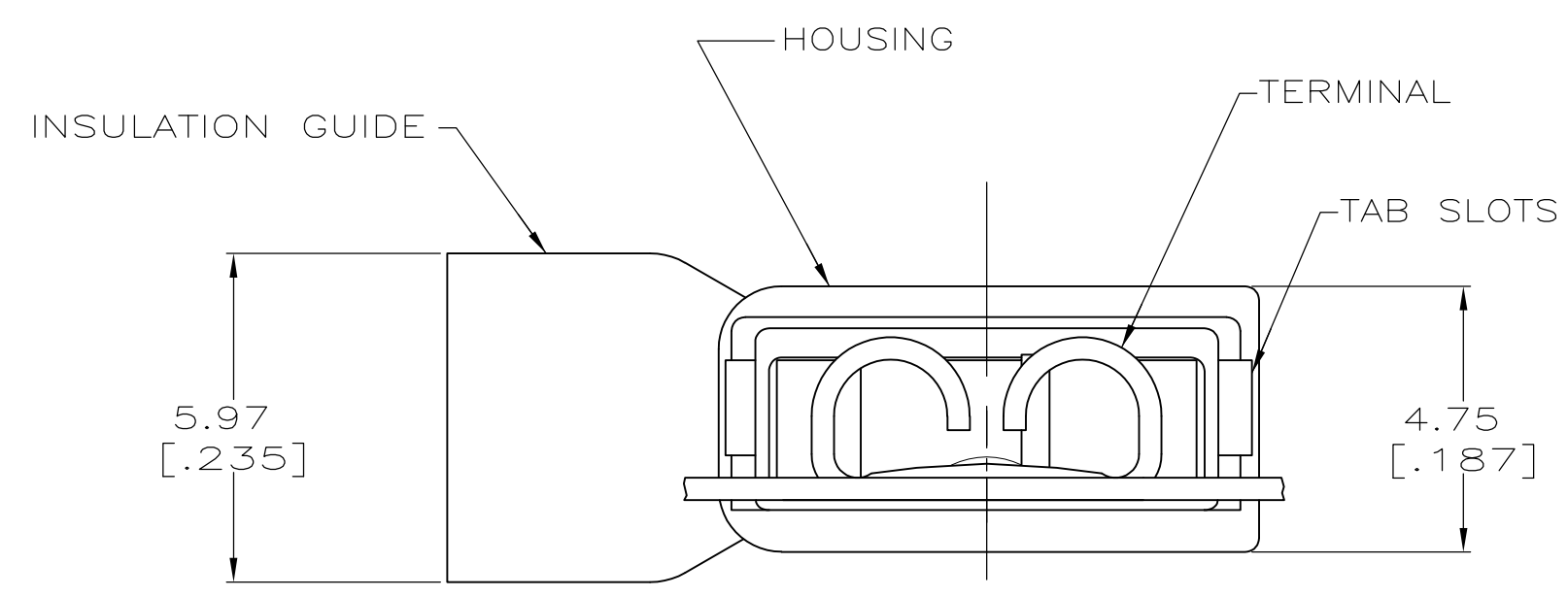
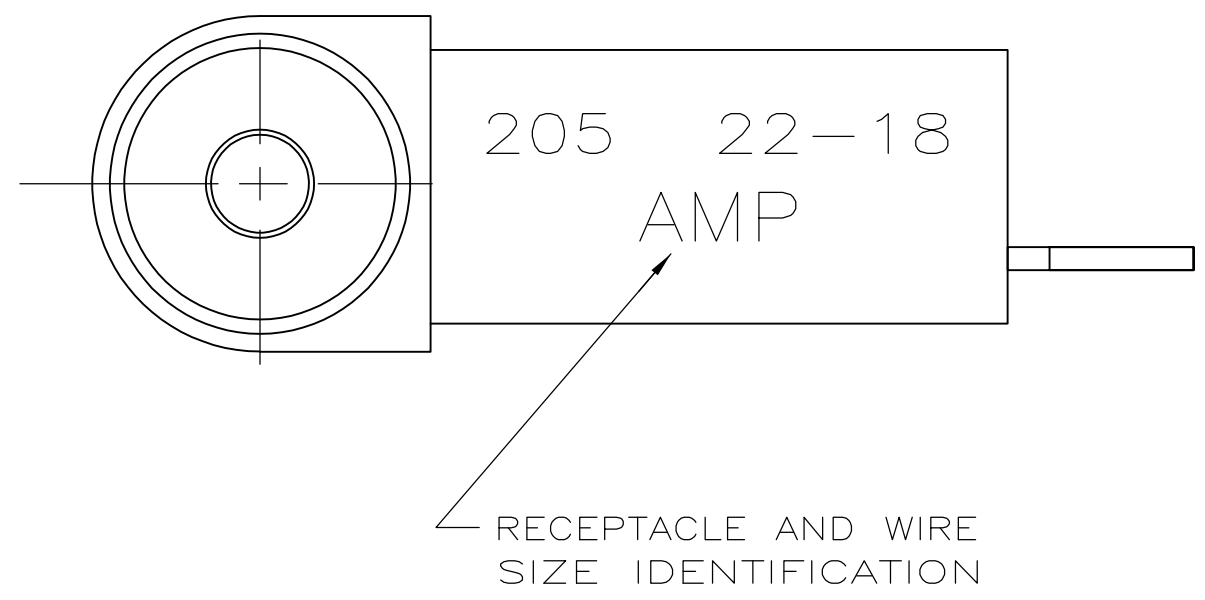


THIS DRAWING IS UNPUBLISHED. RELEASED FOR PUBLICATION
 © COPYRIGHT BY TYCO ELECTRONICS CORPORATION. ALL INTERNATIONAL RIGHTS RESERVED.

| LOC | DIST | REVISIONS | | | |
|-----|------|-------------|---------------------------|---------|--------|
| P | LTR | DESCRIPTION | DATE | DWN | APVD |
| AF | 50 | B1 | REVISED PER ECR-08-016785 | 25JUL08 | HMR GP |



- 1 FITS 0.81±0.025 X 5.21 [.032±.001 X .205] TAB OR 0.81±0.025 X 4.75 [.032±.001 X .187] TAB.
- 2 WIRE SIZE: 0.3-0.9mm² [22-18 AWG], STRANDED ONLY. STRIP LENGTH 7.92 [.312]
- 3 INSULATION SIZE: 4.19 [.165] MAX DIA.
- 4 CONTINUOUS STRIP, SPLICE FREE.
- 5 PRELIMINARY - NOT FOR PRODUCTION



| | HOUSING | COLOR | MATERIAL | FINISH | |
|-----------|----------------|------------------|-----------------------|--------|--------------|
| STANDARD | TYPE 6/6 NYLON | BLACK | 0.41 [.016] #4H BRASS | TIN | 5 9-521164-2 |
| STANDARD | TYPE 6/6 NYLON | GRAY TRANSLUCENT | 0.41 [.016] #4H BRASS | TIN | 5 6-521164-2 |
| STANDARD | TYPE 6/6 NYLON | RED TRANSLUCENT | 0.41 [.016] #4H BRASS | TIN | 2-521164-2 |
| PACKAGING | MATERIAL | | FINISH | | |

THIS DRAWING IS A CONTROLLED DOCUMENT.

| | | | |
|---|----------|---------|---|
| DWN | JR RUTH | 9/12/98 | Tyco Electronics Corporation Harrisburg, PA 17105-3608 |
| CHK | MS FEHER | 9/12/98 | |
| APVD | - | - | NAME |
| DIMENSIONS: mm [INCHES] | | | PRODUCT SPEC |
| TOLERANCES UNLESS OTHERWISE SPECIFIED: | | | 108-2043 |
| 0 PLC ± - 1 PLC ± - 2 PLC ± - 3 PLC ± 0.38 [.015] 4 PLC ± - ANGLES ± - | | | APPLICATION SPEC |
| MATERIAL | | | 114-2123 |
| FINISH | | | SIZE |
| SEE TABLE | | | A2 |
| SEE TABLE | | | CAGE CODE |
| SEE TABLE | | | 00779 |
| SEE TABLE | | | DRAWING NO |
| SEE TABLE | | | G-521164 |
| SEE TABLE | | | RESTRICTED TO |
| SEE TABLE | | | - |
| CUSTOMER DRAWING | | | SCALE |
| CUSTOMER DRAWING | | | 8:1 |
| CUSTOMER DRAWING | | | SHEET |
| CUSTOMER DRAWING | | | 1 OF 1 |
| CUSTOMER DRAWING | | | REV |
| CUSTOMER DRAWING | | | B1 |