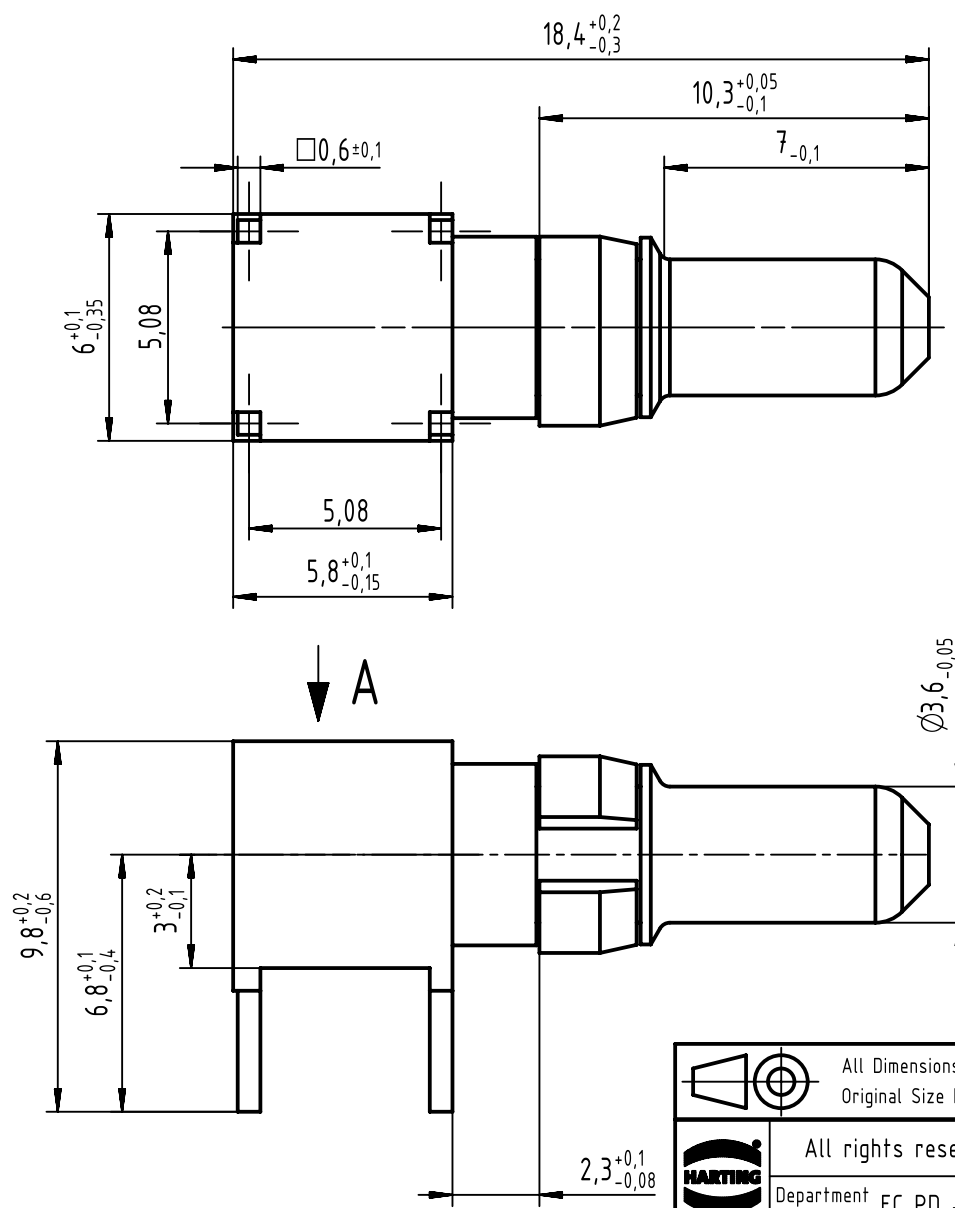
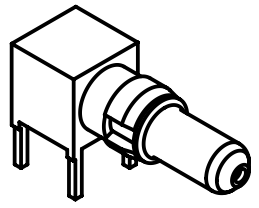
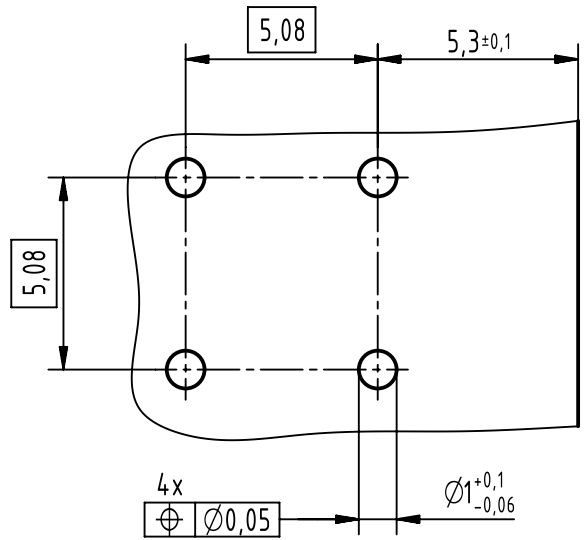


1 2 3 4 5 6

A
B
C
D



A board drillings



09 03 000 6134	1
part-no.	performance level

	All Dimensions in mm Original Size DIN A4		Scale 5:1	Free size tol. DIN 41626-1	Ref. Sub. TB 09 03 000 6134 36404 30.06.11		
	All rights reserved Department EC PD - DE		Created by ELLERMANN	Inspected by TADJE	Standardisation HOFFMANN	Date 2013-12-19	State Final Release
HARTING Electronics GmbH D-32339 Espelkamp		Title DIN Signal male contact power 20A angl solder pre				Doc-Key / ECM-Nr. 100072417/UGD/002/B 500000069291	
		Type TB	Number 09030006134			Rev. B	Page 1/1