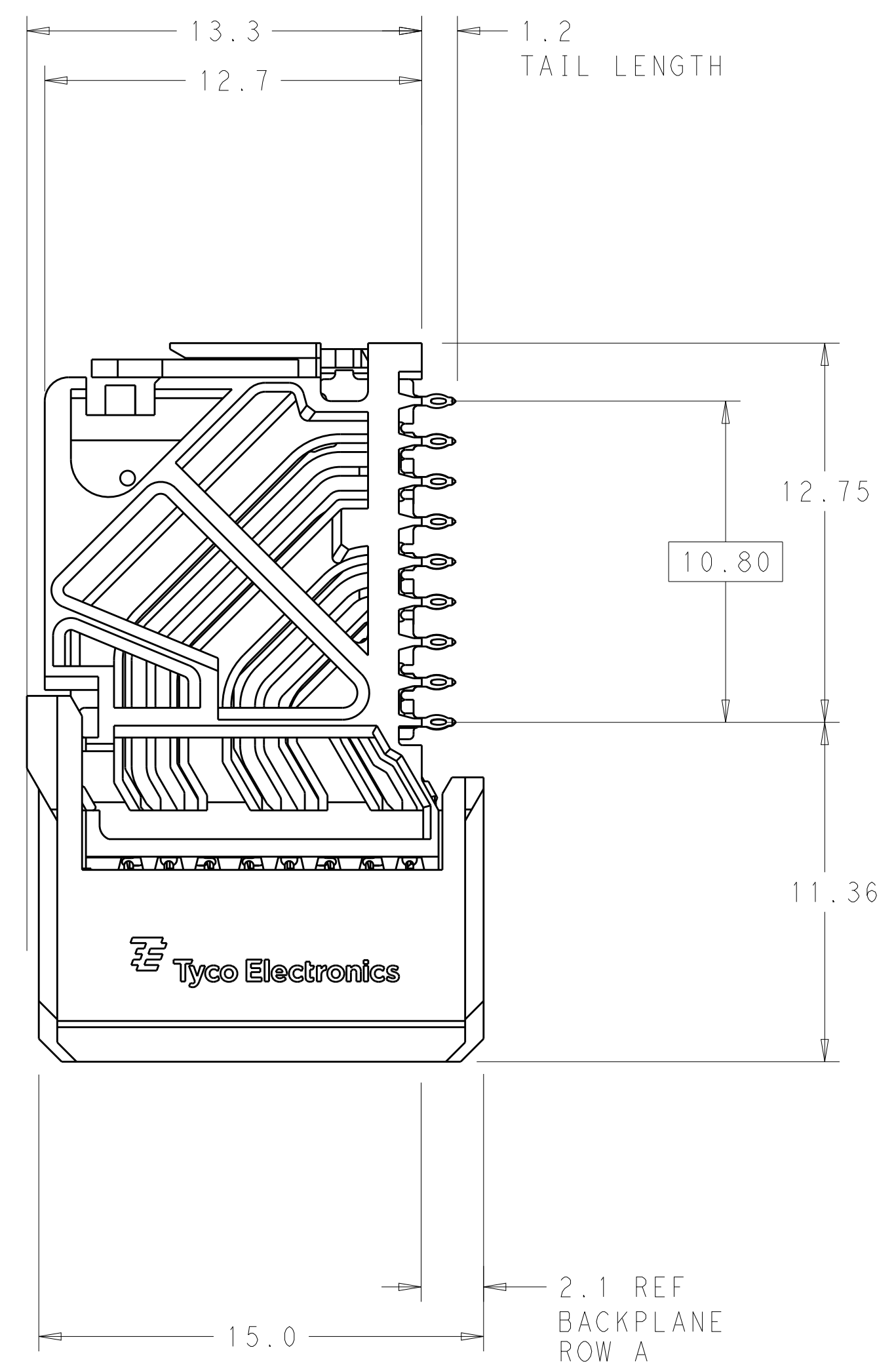
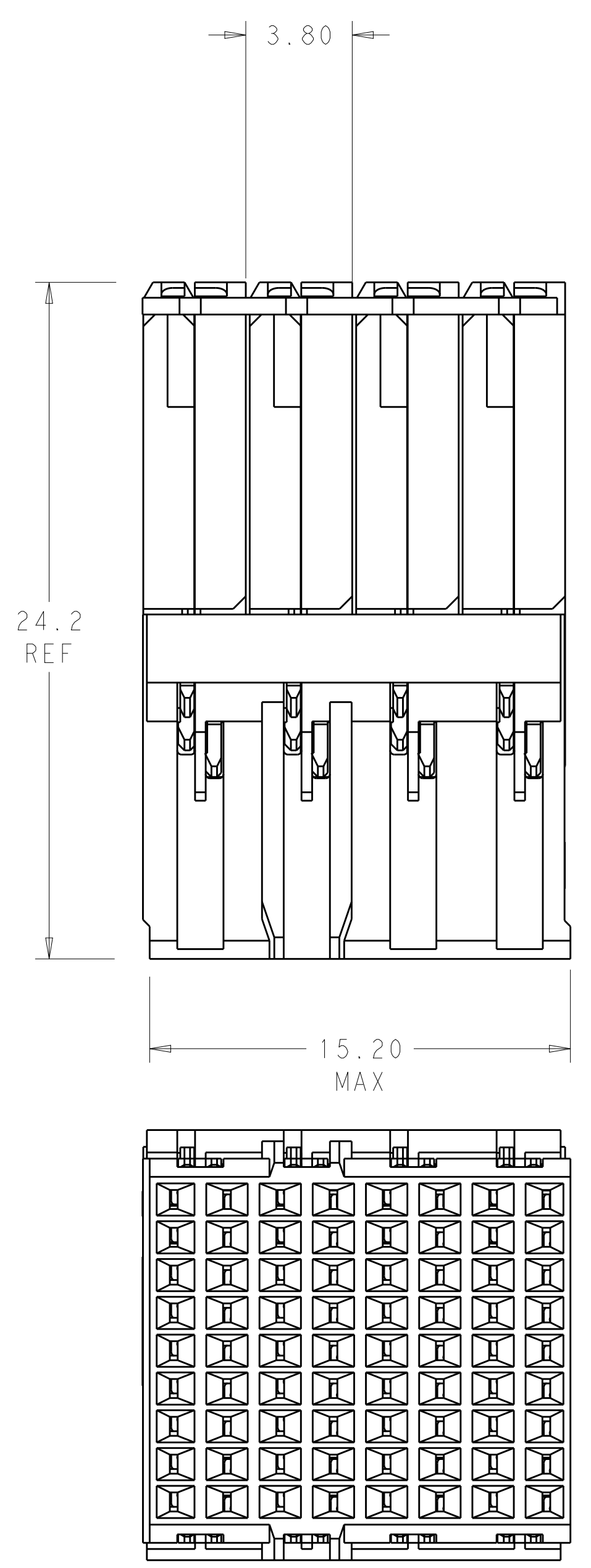
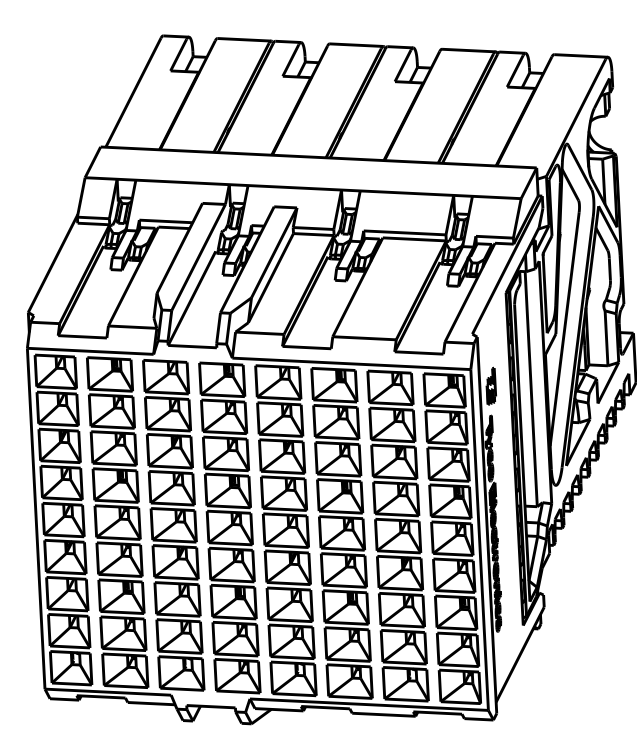


LOC		DIST		REVISIONS			
AD	00	P	LTN	DESCRIPTION	DATE	DWN	APVD
		F1		REVISED PER ECO-14-018035	11MAR2015	AP	DD



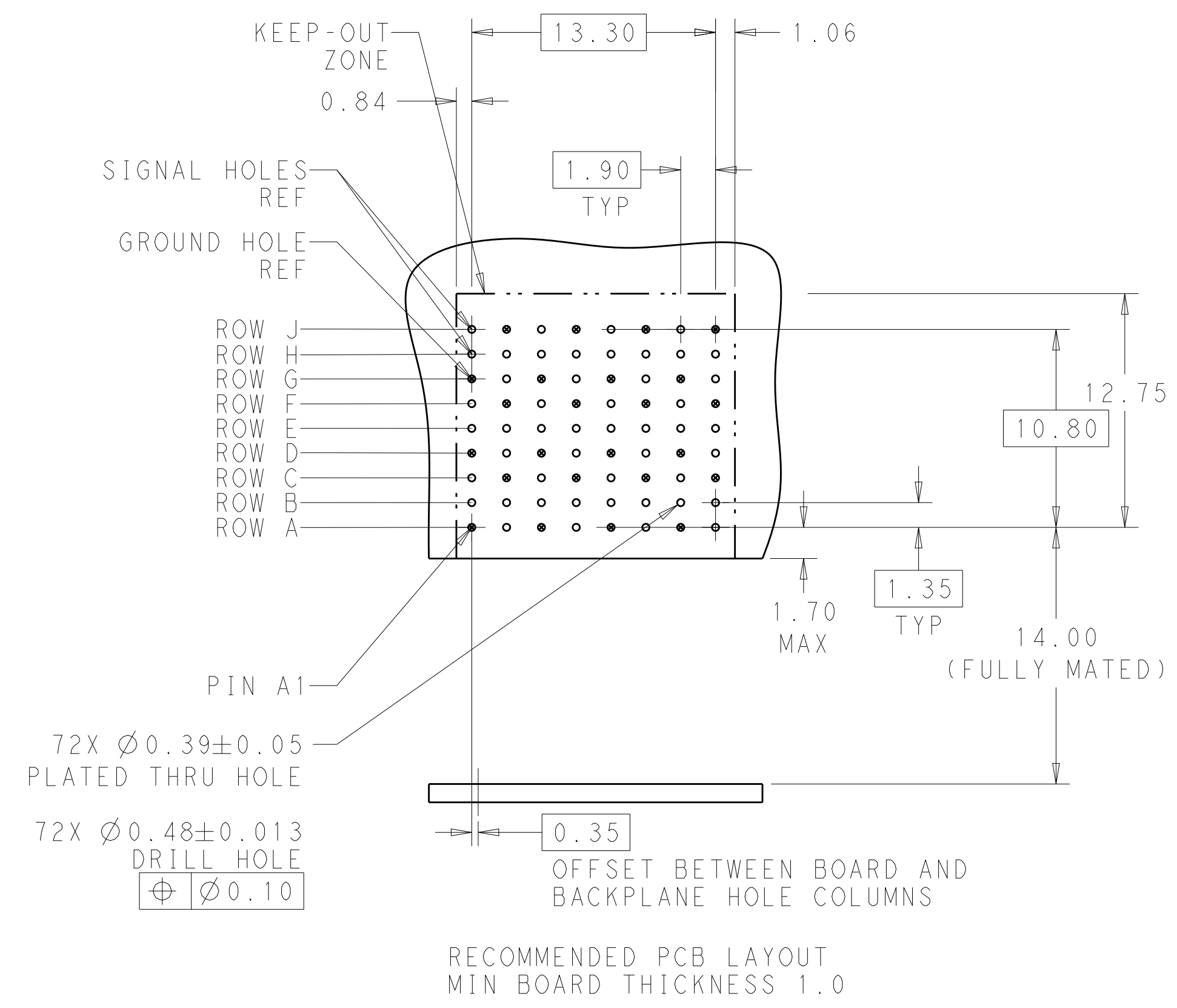
⚠ MATERIAL:  
 HOUSING: LCP, GLASS FILLED, UL94V-0.  
 TERMINALS: HIGH PERFORMANCE COPPER ALLOY.

⚠ FINISH:  
 30μ" SELECTIVE GOLD IN CONTACT AREA. SELECTIVE TIN ON PCB TAILS, NICKEL OVERALL.



SCALE 4:1

REFER TO WWW.TE.COM FOR PRODUCT AVAILABILITY



NONE	⚠	2057693-1
KEY POSITION	FINISH	PART NUMBER

THIS DRAWING IS A CONTROLLED DOCUMENT.		DWN D. HUMBERT 04FEB2011	
DIMENSIONS: mm		CHK D. DIXON 04FEB2011	
TOLERANCES UNLESS OTHERWISE SPECIFIED:		APVD D. DIXON 04FEB2011	NAME: IMPACT, 3 PAIR, DAUGHTERCARD 8 COLUMN, UNGUIDED, SIGNAL MODULE, 0.39 EYELET SIZE: CAGE CODE DRAWING NO: A100779C=2057693 RESTRICTED TO:
0 PLC ± 1 PLC ±0.2 2 PLC ±0.13 3 PLC ± 4 PLC ± ANGLES ±		PRODUCT SPEC APPLICATION SPEC WEIGHT CUSTOMER DRAWING	
MATERIAL: ⚠ SEE TABLE		SCALE 6:1	SHEET 1 OF 1 REV F1