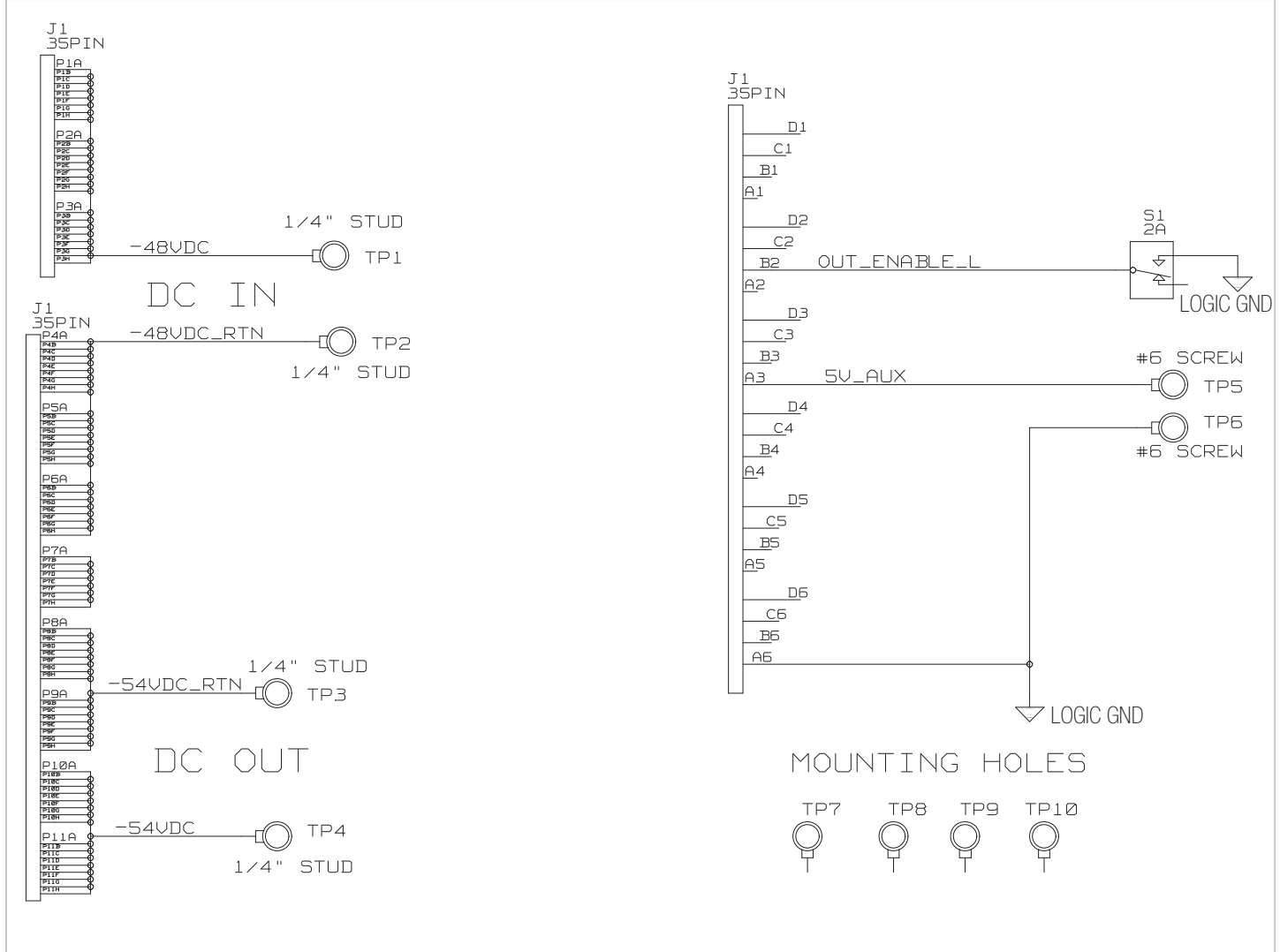


### PRODUCT OVERVIEW

#### SAFETY PRECAUTION

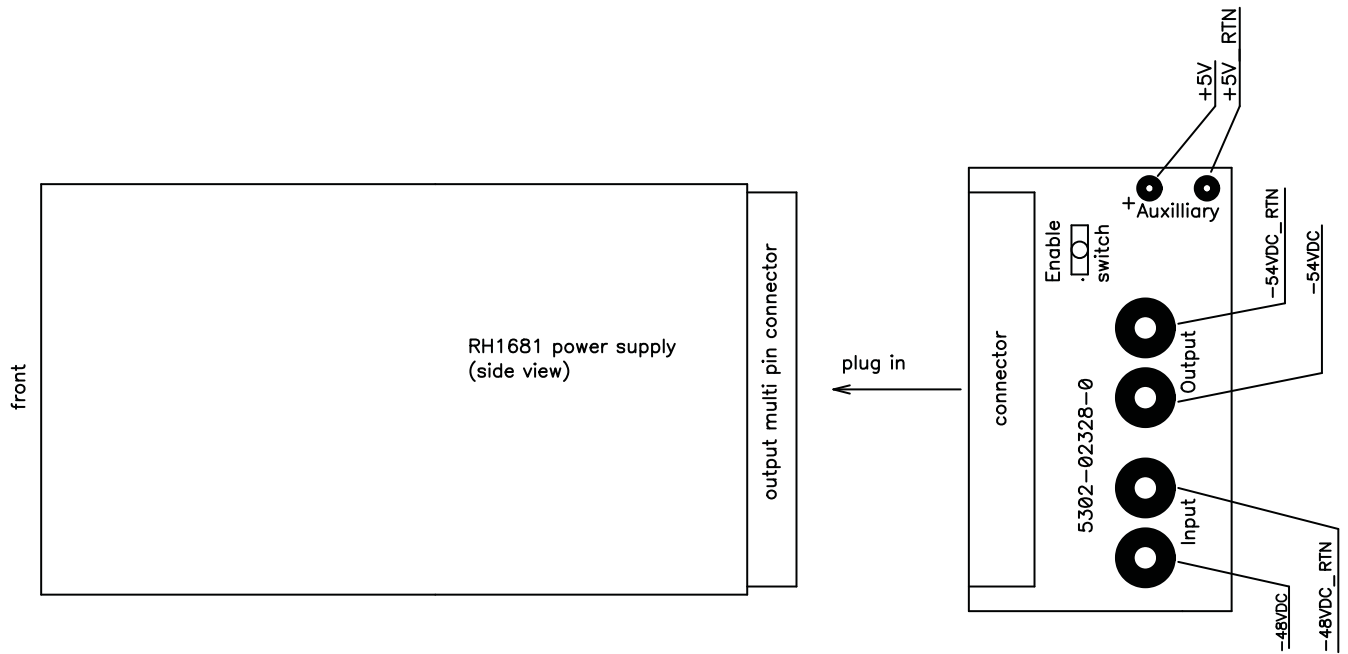
This D1U4CS-54D output connector card is intended to facilitate the connection for the user to evaluate the D1U4CS-D power supply in the laboratory. The 40 to 72Vdc input voltage and the 54V output voltage are exposed on this output connector card. Please take the necessary safety precautions for voltage and hazardous energy during your product evaluation.

#### SCHEMATIC - D1U4CS-54D-CONC



For full details go to  
[www.murata-ps.com/rohs](http://www.murata-ps.com/rohs)

**MECHANICAL DIMENSIONS - D1U4CS-54D-CONC**



Dimensions: 3" x 5"

Murata Power Solutions, Inc.  
 11 Cabot Boulevard, Mansfield, MA 02048-1151 U.S.A.  
 ISO 9001 and 14001 REGISTERED



**This product is subject to the following [operating requirements](#) and the [Life and Safety Critical Application Sales Policy](#). Refer to: <http://www.murata-ps.com/requirements/>**

Murata Power Solutions, Inc. makes no representation that the use of its products in the circuits described herein, or the use of other technical information contained herein, will not infringe upon existing or future patent rights. The descriptions contained herein do not imply the granting of licenses to make, use, or sell equipment constructed in accordance therewith. Specifications are subject to change without notice. © 2012 Murata Power Solutions, Inc.