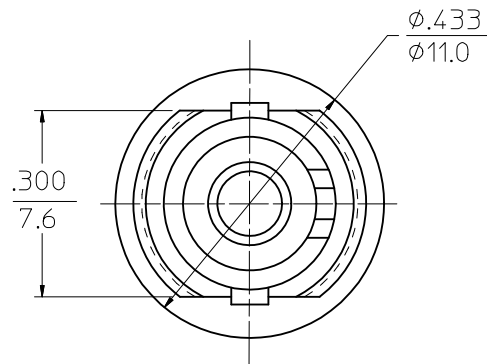
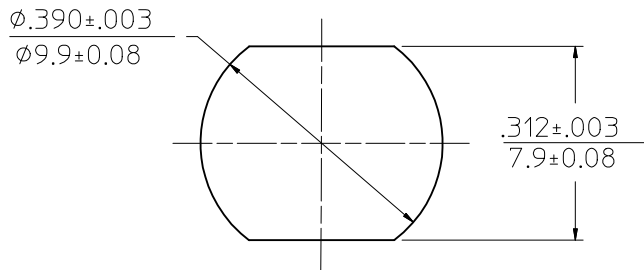


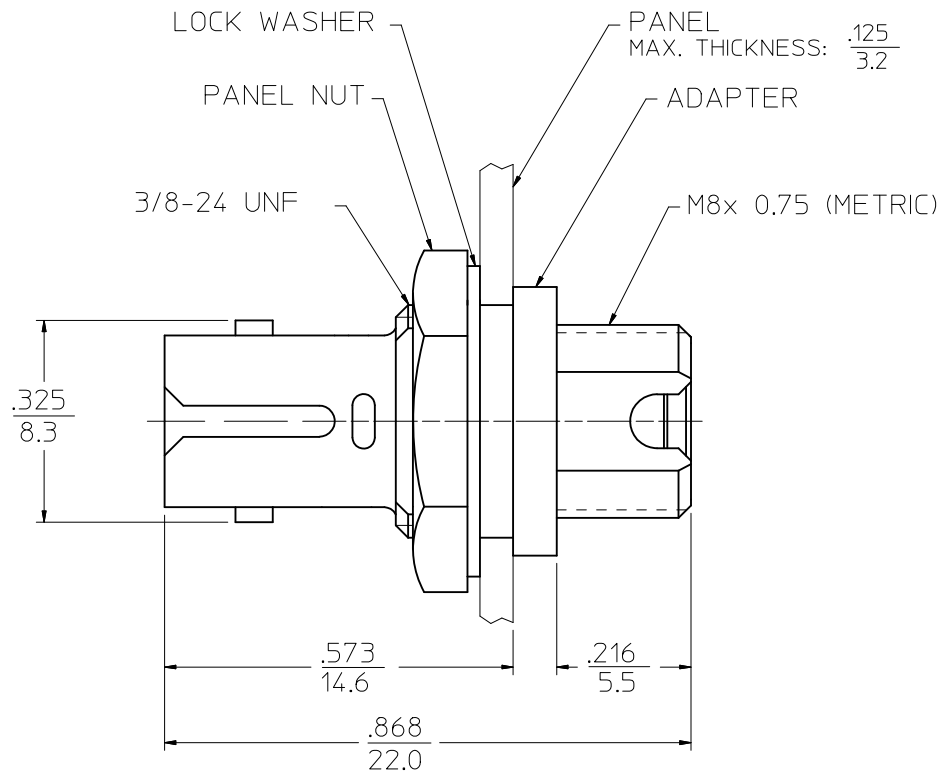
10 9 8 7 6 5 4 3 2 1



(WASHER AND PANEL NUT NOT SHOWN)



RECOMMENDED MOUNTING HOLE



<b>ENTER DESCRIPTION</b> EC NO: MF2006-0767 DRAWN: JIBAL TRUKONIS 2006/05/22 CHKD: 2006/05/22 APPR: IGUMIN 2006/05/24 B	QUALITY SYMBOLS ▽=0 ▽=0	GENERAL TOLERANCES (UNLESS SPECIFIED) mm INCH 4 PLACES ± --- ± --- 3 PLACES ± --- ± --- 2 PLACES ± --- ± --- 1 PLACE ± --- ± --- ANGULAR ±1/2°	DIMENSION STYLE IN/MM DRAWN BY PGIBLIN DATE 2005/10/18 CHECKED BY DATE APPROVED BY DATE	SCALE 5:1 DESIGN UNITS INCH THIRD ANGLE PROJECTION	TITLE ST-FC TYPE ADAPTER
	DRAFT WHERE APPLICABLE MUST REMAIN WITHIN DIMENSIONS		MATERIAL NO. 1061720000 SIZE B	MOLEX INCORPORATED DOCUMENT NO. SD-106172-0000	SHEET NO. 1 OF 01
	THIS DRAWING CONTAINS INFORMATION THAT IS PROPRIETARY TO MOLEX INCORPORATED AND SHOULD NOT BE USED WITHOUT WRITTEN PERMISSION				
	MILEX				

9 8 7 6 5 4 3 2 1