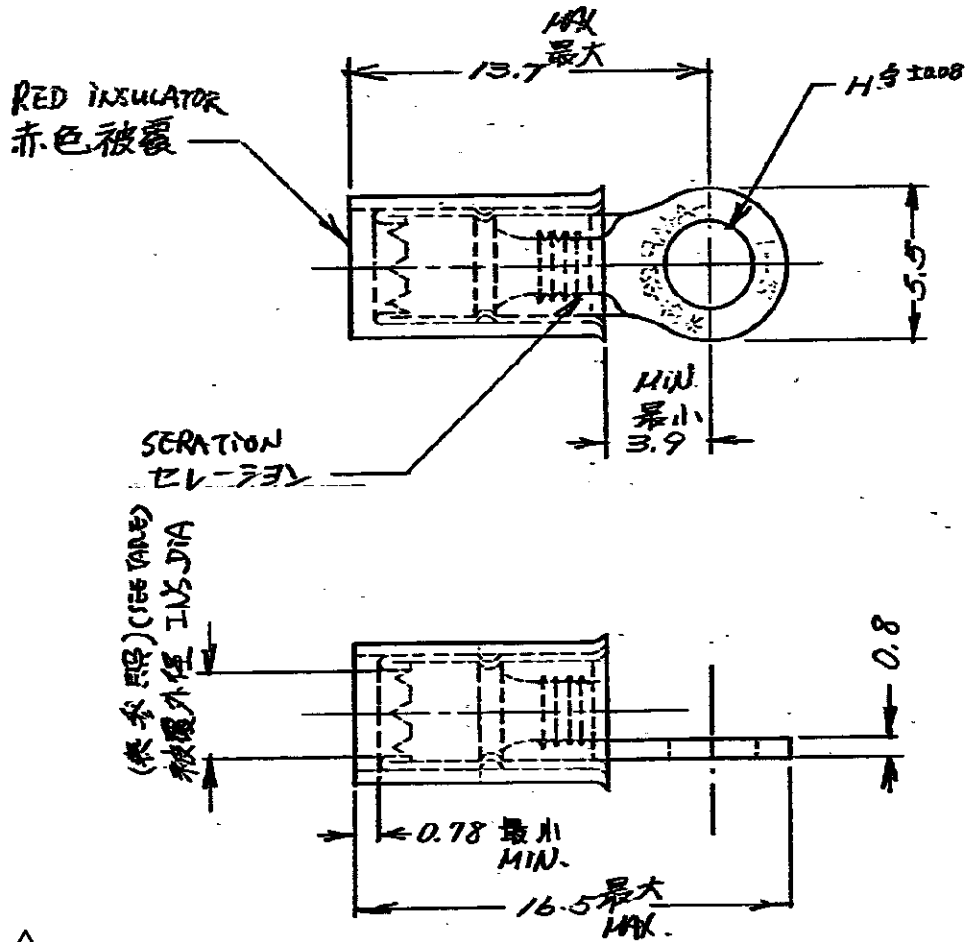


BY INSTRUMENT
C-171505



1 OBSOLETE PARTS: OBSOLETE CIS STREAMLINING PER D.RENAUD/D.SINISI

(P/N) 型番	(STUD) スト	(H DIM) H寸法	(INS. DIA) 被覆外径
171505-1	#4	3.02	2.03~3.18
-2	#6	3.68	2.03~3.18
-3	#4	3.02	2.67~3.56
-4	#6	3.68	2.67~3.56
-5	#1	2.03	2.03~3.18
-6	"	3.25	2.03~3.18
171505-7	#2	2.36	2.03~3.18

OBSOLETE 1

単位: 寸法 DIMENSIONS IN MM. DO NOT SCALE PRINT

D2	REV PER ECO-10-000444	KK	AEG	08 JAN 10	<p>AMP (JAPAN) LTD. ALL RIGHTS RESERVED. AMP PRODUCTS COVERED BY PATENTS AND/OR PATENTS PENDING.</p>		<p>参考図面 (CUSTOMER COPY) REFERENCE ONLY</p>
D1	OBSOLETE (REV. B)	K.N	YT	2-8	<p>電線銅</p>		<p>AMP AMP (JAPAN), LTD. Tokyo, Japan</p>
D	REVISED (REV. B)	K.Y	S.	4/12	<p>銅 0.25</p>		
C	REVISED (REV. B)	S.O	Y.H	1/12	<p>WIRE RANGE: 0.26~1.04 (AWG 22-18)</p>		
B	ADDED MARK	H.S	M.I	8/15	<p>TYPE: 参考照</p>		
A	REVISED (REV. A)	H.S	M.I	7/15	<p>参考照</p>		
LTR	変更 REVISION RECORD	DR	CHK	DATE	<p>SCALE: 4-1</p>	<p>LOC: JAC-171505</p>	<p>REV: D2</p>
<p>IDE: S. To</p>					<p>丸型端子 RING TERMINAL</p>		