



On when
it counts.



Application

- Main power indication
- Remote power indication
- Status indication
- Maintenance and warning indication
- Instrumentation

...and many more!

Certifications & Ratings

- RoHS compliant

Features & Benefits

- Low power consumption - uses up to 90% less energy than an incandescent indicator
- No heat generated
- Long life, lasting up to 100K hours
- Colors include red, green, orange, and blue
- Front panel mounting
- Housing matches emitted color

Mechanical Information:

Mounting hole size: Figure 1 - 0.335" (8.5mm)
Figure 2 & 3 - 0.323" (8.2mm)
Figure 4 & 5 - See on next page

Max panel thickness: See part numbers

Mounting torque: Figure 1 - 0.362 lbs/ft (5 kg/cm)
Figure 2 & 3 - 0.217 lbs/ft (3 kg/cm)

Electrical Specifications:

Operating voltage: 2 (red, orange) & 3.3 (green, blue) VDC
(current limiting resistor required on both voltages)
6, 12 & 24 VDC (no resistor required)

Operating temperature: -4°F to +167°F (-20°C to +75°C)

Storage temperature: -40°F to +212°F (-40°C to +100°C)

Electrical connection: Solder terminals and wire leads

Construction:

Housing: Protruding: Chrome plated brass;
Internal position; Polycarbonate

All values typical unless otherwise stated



Panel Mount Indicator Dimensions

Figure 1

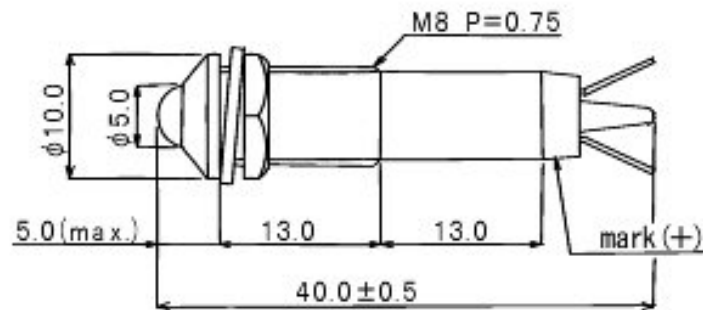


Figure 2

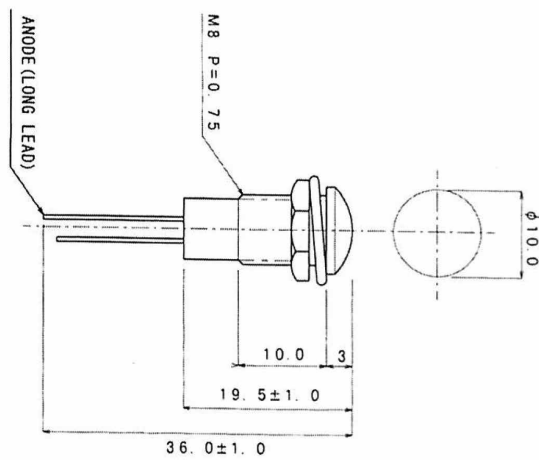


Figure 3

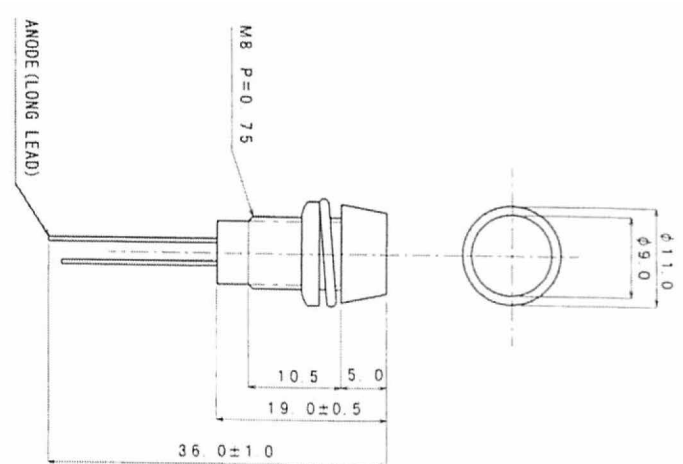


Figure 4

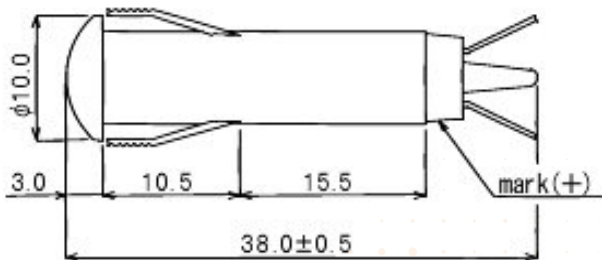
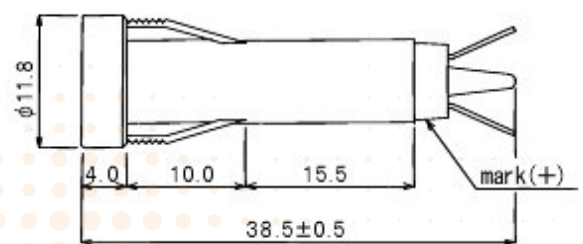
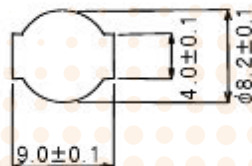


Figure 5



Dimensions are in mm



For both Figure 4 and 5

Part Number	Color	Voltage (VDC)	Current (mA)	Typical Intensity (mcd)	Viewing Angle	LED Position	Figure	Panel Thickness
678-1112-321F	RED	6	20	320	20	PROTRUDING	1	0.3158" (8.0 mm)
678-1212-322F	GREEN	6	20	2920	20	PROTRUDING	1	
678-1312-323F	ORANGE	6	20	490	20	PROTRUDING	1	
678-1412-324F	BLUE	6	20	220	20	PROTRUDING	1	
678-1112-331F	RED	12	20	320	20	PROTRUDING	1	
678-1212-332F	GREEN	12	20	2920	20	PROTRUDING	1	
678-1312-333F	ORANGE	12	20	490	20	PROTRUDING	1	
678-1412-334F	BLUE	12	20	220	20	PROTRUDING	1	
678-1112-341F	RED	24	20	320	20	PROTRUDING	1	
678-1212-342F	GREEN	24	20	2920	20	PROTRUDING	1	
678-1312-343F	ORANGE	24	20	490	20	PROTRUDING	1	
678-1412-344F	BLUE	24	20	220	20	PROTRUDING	1	
678-1131-111F	RED	2	20	2210	4	INTERNAL	2	0.2165" (5.5 mm)
678-1231-112F	GREEN	3.3	20	46860	4	INTERNAL	2	
678-1331-113F	ORANGE	2	20	2210	4	INTERNAL	2	
678-1431-114F	BLUE	3.3	20	7100	4	INTERNAL	2	
678-3131-111F	RED	2	20	3020	40	INTERNAL	3	
678-3231-112F	GREEN	3.3	20	30600	20	INTERNAL	3	
678-3331-113F	ORANGE	2	20	3260	20	INTERNAL	3	
678-3431-114F	BLUE	3.3	20	4360	40	INTERNAL	3	
678-1132-221F	RED	6	20	2210	5	INTERNAL	4	0.197" (5.0 mm)
678-1232-222F	GREEN	6	20	41430	6	INTERNAL	4	
678-1332-223F	ORANGE	6	20	8535	10	INTERNAL	4	
678-1432-224F	BLUE	6	20	5473	6	INTERNAL	4	
678-1132-231F	RED	12	20	2210	5	INTERNAL	4	
678-1232-232F	GREEN	12	20	41430	6	INTERNAL	4	
678-1332-233F	ORANGE	12	20	8535	10	INTERNAL	4	
678-1432-234F	BLUE	12	20	5473	6	INTERNAL	4	
678-1132-241F	RED	24	20	2210	5	INTERNAL	4	
678-1232-242F	GREEN	24	20	41430	6	INTERNAL	4	
678-1332-243F	ORANGE	24	20	8535	10	INTERNAL	4	
678-1432-244F	BLUE	24	20	5473	6	INTERNAL	4	
678-2132-221F	RED	6	20	12700	5	INTERNAL	5	
678-2232-222F	GREEN	6	20	16490	15	INTERNAL	5	
678-2332-223F	ORANGE	6	20	5780	8	INTERNAL	5	
678-2432-224F	BLUE	6	20	2514	20	INTERNAL	5	
678-2132-231F	RED	12	20	12700	5	INTERNAL	5	
678-2232-232F	GREEN	12	20	16490	15	INTERNAL	5	
678-2332-233F	ORANGE	12	20	5780	8	INTERNAL	5	
678-2432-234F	BLUE	12	20	2514	20	INTERNAL	5	
678-2132-241F	RED	24	20	12700	5	INTERNAL	5	
678-2232-242F	GREEN	24	20	16490	15	INTERNAL	5	
678-2332-243F	ORANGE	24	20	5780	8	INTERNAL	5	
678-2432-244F	BLUE	24	20	2514	20	INTERNAL	5	

*For wire leads replace the 7th digit with "5". For example 678-1115-321F

Dialight reserves the right to make changes at any time in order to supply the best product possible. The most current version of this document will always be available at: www.dialight.com/Assets/Brochures_And_Catalogs/Illumination/MDEL678CR.pdf

Warranty Statement: EXCEPT FOR THE WARRANTY EXPRESSLY PROVIDED FOR [HEREIN/ABOVE/BELOW], DIALIGHT DISCLAIMS ANY AND ALL OTHER WARRANTIES, EXPRESS OR IMPLIED, INCLUDING, WITHOUT LIMITATION, ANY WARRANTIES OF MERCHANTABILITY, FITNESS FOR A PARTICULAR PURPOSE, TITLE, AND NONINFRINGEMENT.