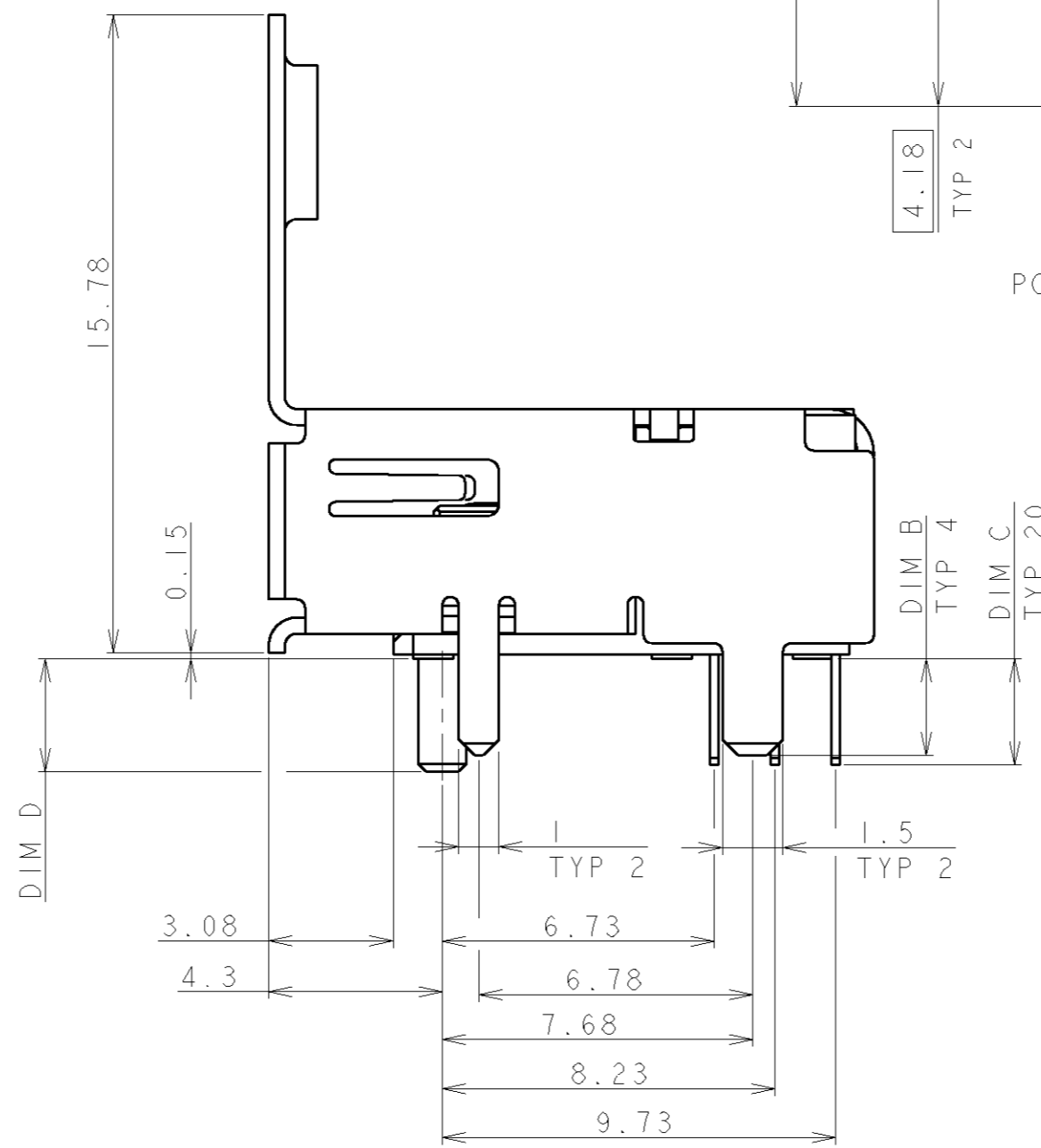
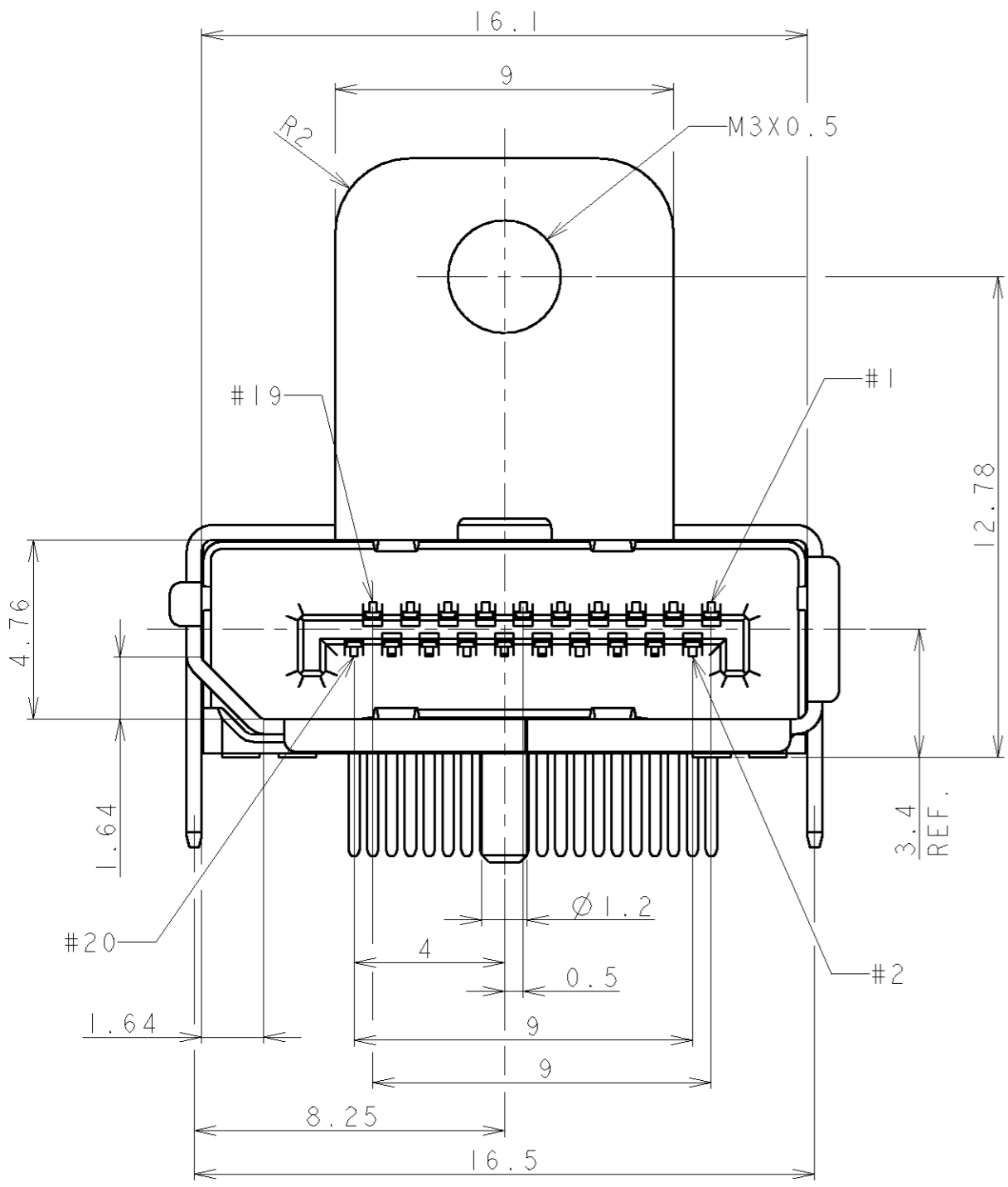
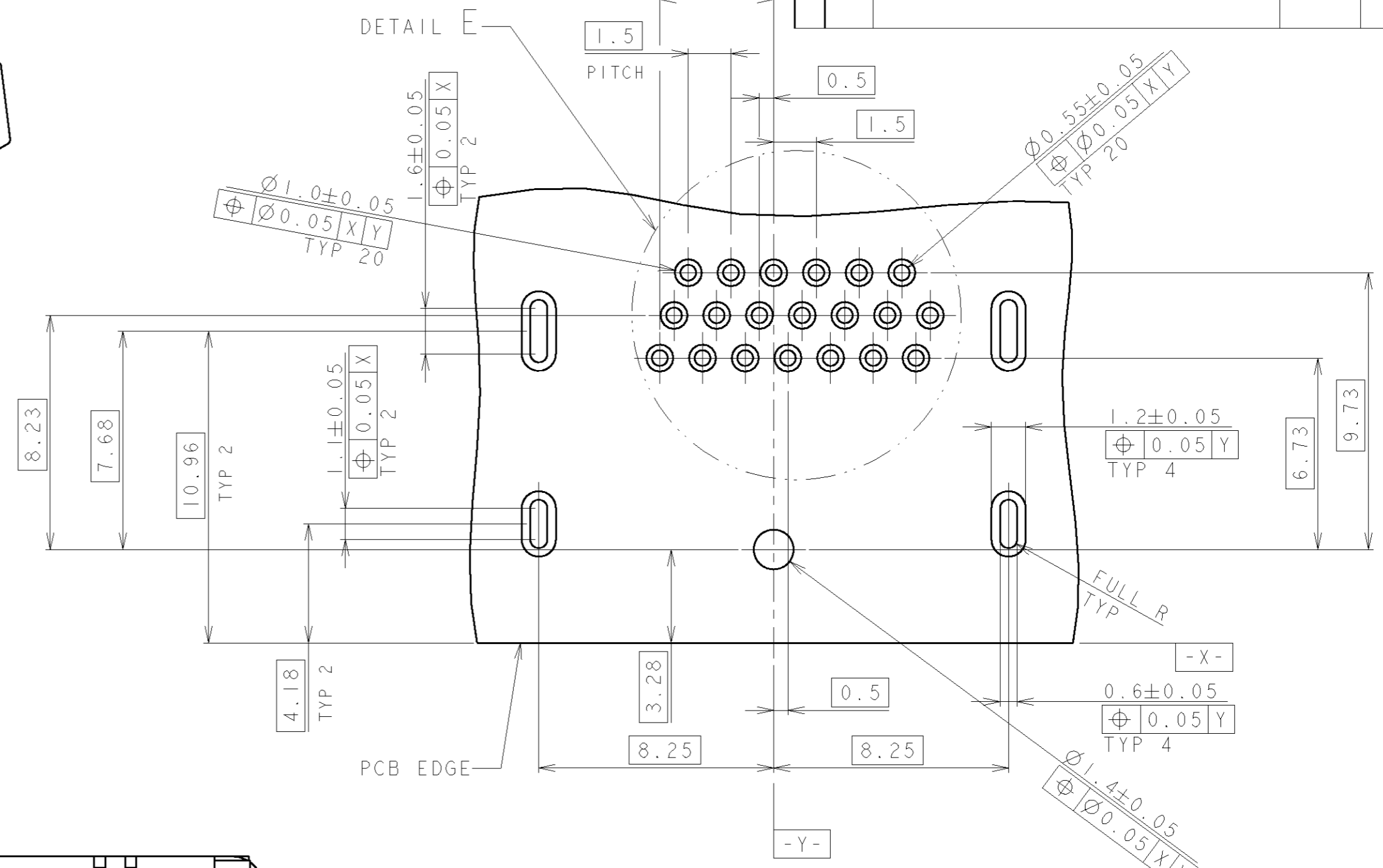
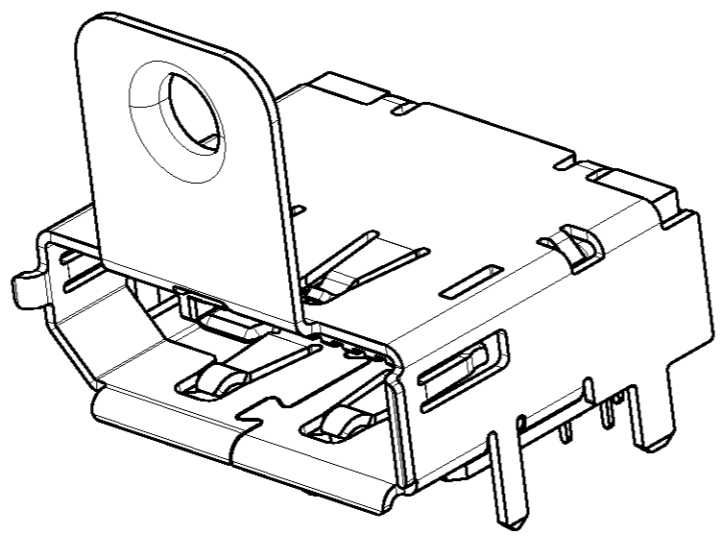
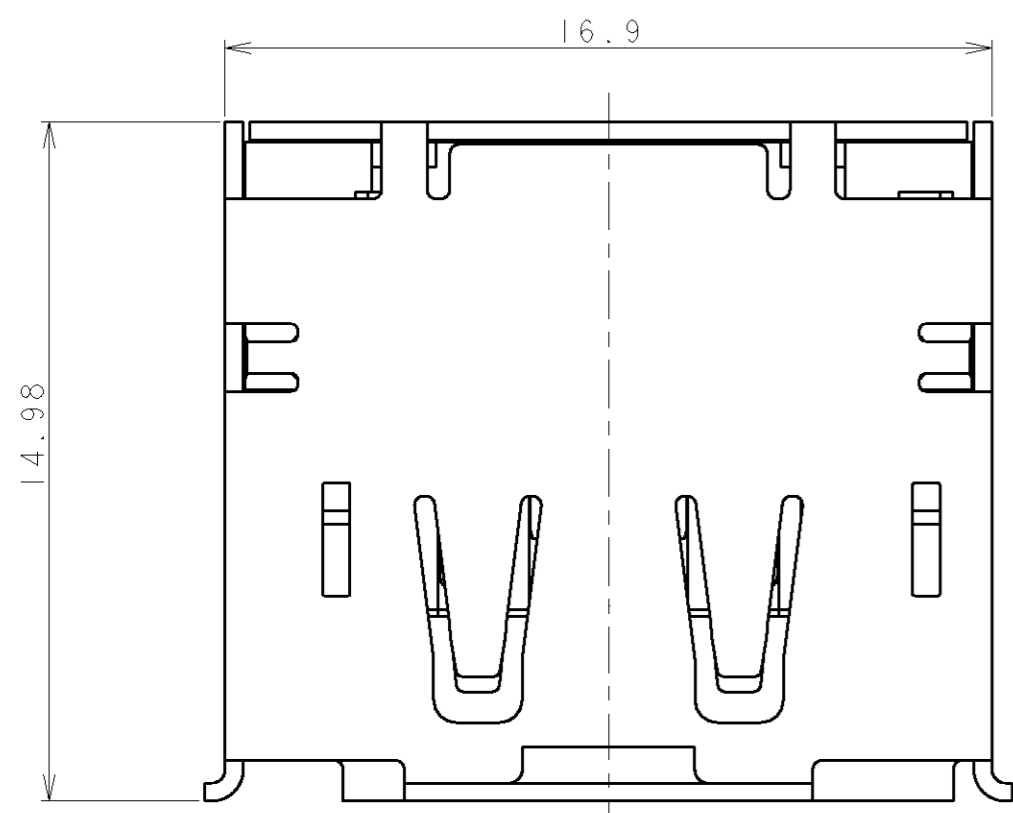
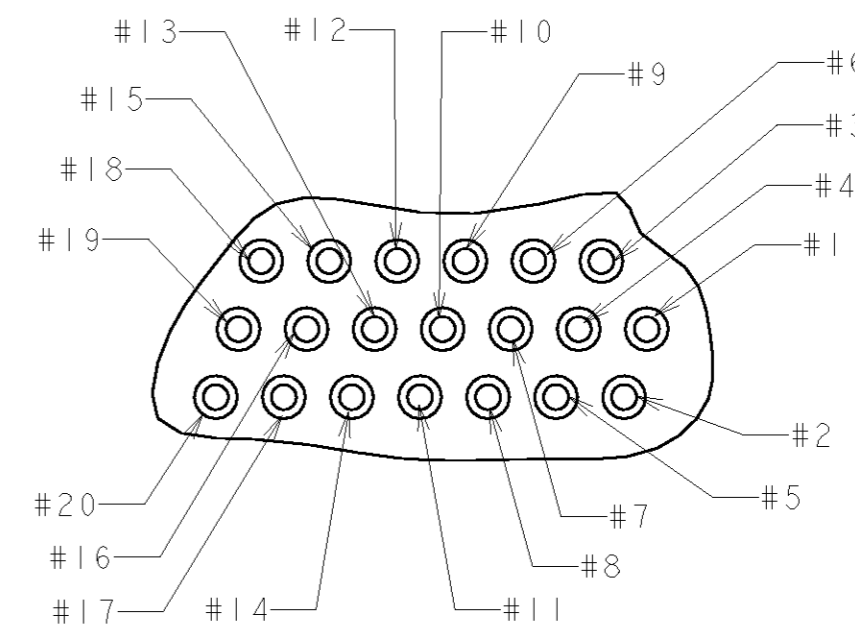


THIS DRAWING IS UNPUBLISHED. RELEASED FOR PUBLICATION 2008  
 © COPYRIGHT 2008 BY TYCO ELECTRONICS CORPORATION. ALL RIGHTS RESERVED.

LOC		DIST		REVISONS			DATE	DWN	APVD
J		P	LTR	DESCRIPTION					
		A	RELEASED					Y.H	



RECOMMENDED PCB LAYOUT (THICKNESS=DIM A±0.1)  
MOUNTING SIDE



1. MATERIAL:  
 HOUSING: HIGH TEMPERATURE THERMAL PLASTIC, BLACK, UL94V-0.  
 CONTACT: COPPER ALLOY.  
 SHELL: COPPER ALLOY.  
 2. FINISH:  
 CONTACT: CONTACT AREA: GOLD PLATING  
 SOLDER TAIL AREA: TIN PLATING.  
 SHELL: NICKEL PLATING SOLDERABILITY IS WORSE THAN MATTE TIN PLATING IN SOME CONDITION, IN SUCH CASE, PLEASE SELECT MATTE TIN PLATING.  
 3. THIS PRODUCT IS PACKED IN TRAY.

MATERIAL	DIM D	DIM C	DIM B	DIM A	PART NUMBER
MATTE TIN	2.2	2.0	2.0	1.2	1-2040210-5
NICKEL	2.2	2.0	2.0	1.2	1-2040210-1
MATTE TIN	2.8	2.6	2.4	1.6	2040210-5
NICKEL	2.8	2.6	2.4	1.6	2040210-1

THIS DRAWING IS A CONTROLLED DOCUMENT FOR TYCO ELECTRONICS CORPORATION IT IS SUBJECT TO CHANGE AND THE CONTROLLING ENGINEERING ORGANIZATION SHOULD BE CONTACTED FOR THE LATEST REVISION.		DWN Y. HIRATA 15FEB2008 CHK T. KUSUHARA 15FEB2008 APVD T. KUSUHARA 15FEB2008	Tyco Electronics Corporation Kawasaki, Japan
DIMENSIONS: 单位: 毫米 TOLERANCES UNLESS OTHERWISE SPECIFIED: 一般公差 0 PLC ±0.3 1 PLC ±0.3 2 PLC ±0.3 3 PLC ±0.3 4 PLC ±0.3 ANGLES ±2° MATERIAL 材料 FINISH 仕仕		NAME 名称 RECEPTACLE ASSEMBLY DISPLAYPORT RA TH STD TH-LEG WITH FLANGE	SIZE 尺寸 CAGE CODE 笼号 DRAWING NO. 图号 A20779G-2040210
WEIGHT 重量 CUSTOMER DRAWING 客户图		SCALE 比例 4:1	SHEET 页 1 OF 2 REV 版本 A

2040210

4

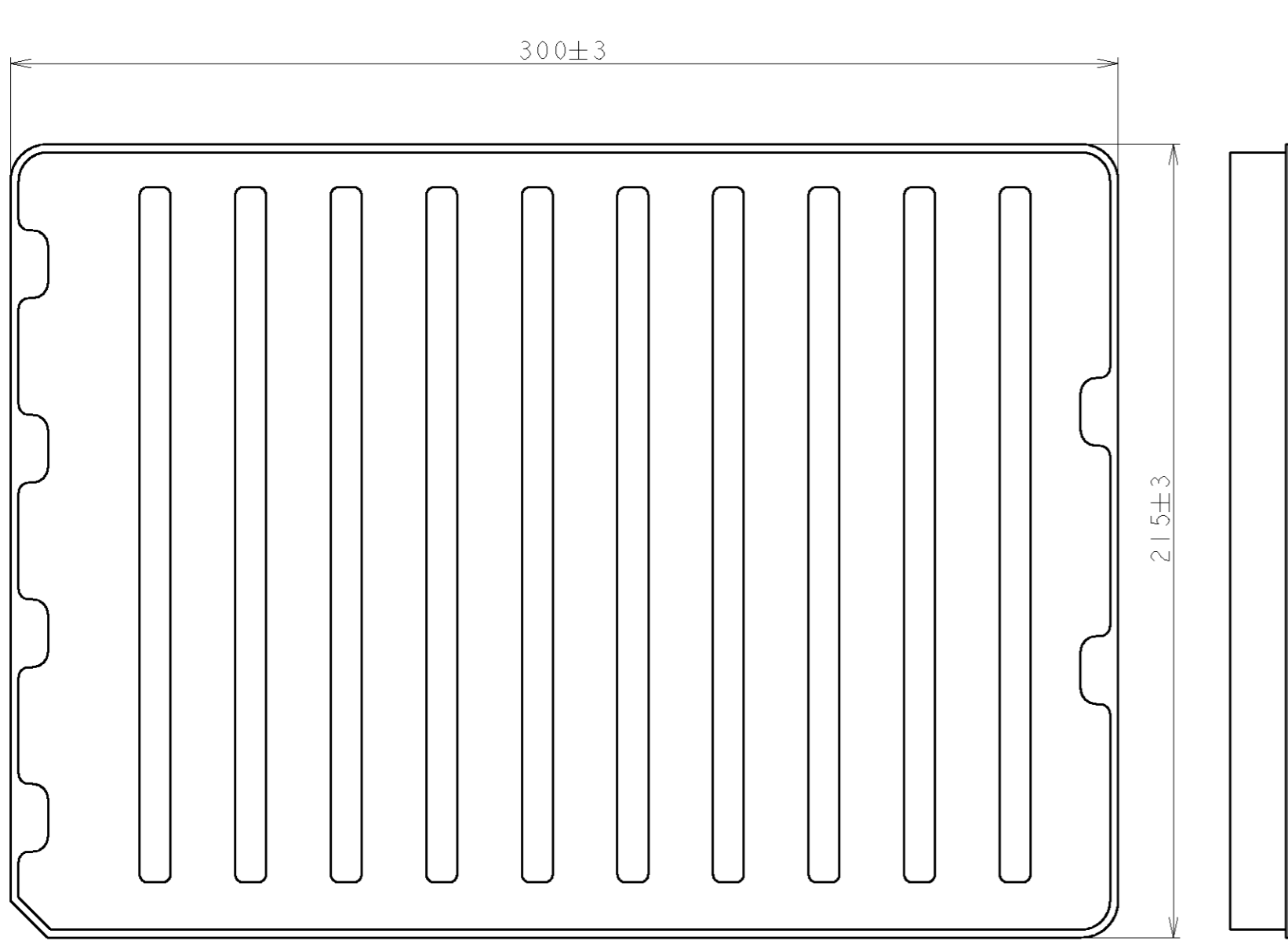
3

2

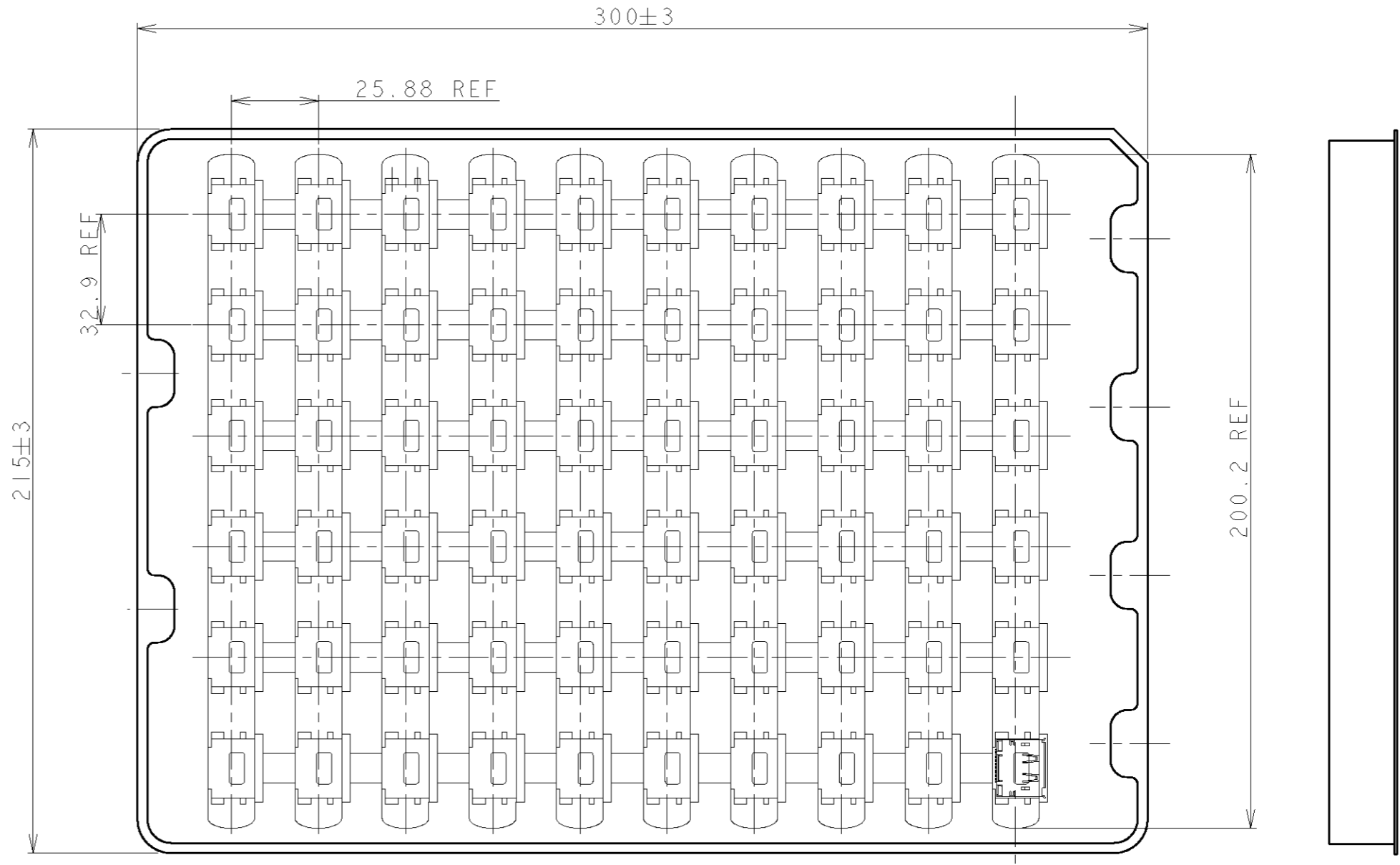
1

THIS DRAWING IS UNPUBLISHED. RELEASED FOR PUBLICATION 2008  
 © COPYRIGHT 2008 BY TYCO ELECTRONICS CORPORATION. ALL RIGHTS RESERVED.

LOC	DIST	REVISIONS			
P	LTR	DESCRIPTION	DATE	DWN	APVD
		SEE SHEET 1	-	-	-



UPPER TARY



LOWER TARY

PACKAGE TARY

<small>THIS DRAWING IS A CONTROLLED DOCUMENT FOR TYCO ELECTRONICS CORPORATION. IT IS SUBJECT TO CHANGE AND THE CONTROLLING ENGINEERING ORGANIZATION SHOULD BE CONTACTED FOR THE LATEST REVISION.</small>		DWN	Tyco Electronics Corporation Kawasaki, Japan	
DIMENSIONS: mm		CHK	NAME	
		APVD	RECEPTACLE ASSEMBLY DISPLAYPORT RA TH STD TH-LEG WITH FLANGE	
TOLERANCES UNLESS OTHERWISE SPECIFIED: 0 PLC ± 1 PLC ± 2 PLC ± 3 PLC ± 4 PLC ± ANGLES ± FINISH ±		PRODUCT SPEC	SIZE	RESTRICTED TO
MATERIAL		APPLICATION SPEC	A200779	
		WEIGHT	C-2040210	
		CUSTOMER DRAWING	SCALE 1:1	SHEET 2 OF 2 REV A

2040210