

# Industrial Grade 10/100 Miniature Media Converters

IE-MiniMc/LFPT & Telco-LFPT



## PRODUCT FEATURES

- Extended operating temperature of -25 to +85° C
- Auto-Cross automatic selection between crossover or straight-through connections
- Status LEDs
- Link Fault Pass-Through (LFPT) capability

Measuring less than 3.5 inches deep and 2 inches wide, the IE-MiniMc Series converters are some of the industry's smallest copper-to-fiber media converters, with both data connections on the same side. The IE-MiniMc family of media converters are a fraction of the cost of other industrial grade alternatives. These products provide the ease and convenience of plug-and-play operation with features including Auto Negotiation and Auto-Cross.

Advanced features such as Link Fault Pass-Through (LFPT) assist operators in identifying breaks in the network when using unmanaged network hardware. Multiple powering options include Power over Ethernet (PoE/PD), -48 VDC for Telco, AC wall adapter and USB, which offers unsurpassed flexibility for a variety of installations.

## ACCESSORIES

- 806-39105 - DIN Rail Clip
- 806-39638 - Double-USB Power Cable, 36"/.9m
- 806-39650 - 12"/.3m Barrel-Connector Power Cable
- 850-13086 - IE-PowerTray/18-AC (-20°C to +70°C), 18-slot AC powered chassis
- 895-39229 - Wall Mount Bracket
- 806-39753 - IE-Power/5V Module, AC to DC DIN Rail Power Adapter

## ORDERING INFORMATION

MODEL NUMBER	FIBER	FIBER PORTS	RANGE	ETHERNET PORTS	ETHERNET CONNECTOR
<b>IE-MiniMc/LFPT</b>					
855-19822	MM850-SC	1	2 km	1	1
855-19824	MM1300-SC	1	5 km	1	1
855-19830	SM1310/PLUS-SC	1	30 km	1	1
855-19832	SM1310/LONG-SC	1	80 km	1	1
855-19833	SM1550/LONG-SC	1	80 km	1	1

## ORDERING INFORMATION

MODEL NUMBER	FIBER	FIBER PORTS	RANGE	ETHERNET PORTS	ETHERNET CONNECTOR
<b>IE-MiniMc/Telco-LFPT</b>					
855-19202	MM850-SC	1	2 km	1	1
855-19204	MM1300-SC	1	5 km	1	1
855-19210	SM1310/PLUS-SC	1	30 km	1	1
855-19212	SM1310/LONG-SC	1	80 km	1	1
855-19213	SM1550/LONG-SC	1	80 km	1	1

# Industrial Grade 10/100 Miniature Media Converters

IE-MiniMc/LFPT & Telco-LFPT



## SPECIFICATIONS

### TECHNICAL

IEEE 802.3 10Base-T twisted pair
IEEE 802.3u 100Base-TX twisted pair
IEEE 802.3u 100Base-FX fiber
IEEE 802.3af Power Over Ethernet
Supports jumbo packets up to 1916 bytes
Plug-and-play operation
RJ45 and ST or SC ports available
50/125µm or 62.5/125µm multi-mode fiber
9/125µm single-mode fiber
Available with single-strand fiber support
Includes terminal DC power block
Country-specific, high-reliability power adapter
Auto Negotiation
Auto-Cross for MDI/MDIX
Layer 2 packet switching, store and forward (forwarding rate: 14,881 pps for 10 Mbps, 148,100 pps for 100 Mbps)
Status LEDs

### MECHANICAL

Dimensions	0.83"H x 1.80"W x 3.35"D (2.11 x 4.57 x 8.51 cm)
Shipping Weight	0.7 lbs (.317 kg)

### INPUT SPECIFICATIONS

DC Terminal (Telco): 12 to 48 VDC
Barrel Connector: 5 to 24 VDC
PoE: Maximum supply voltage is 50V

### ENVIRONMENTAL

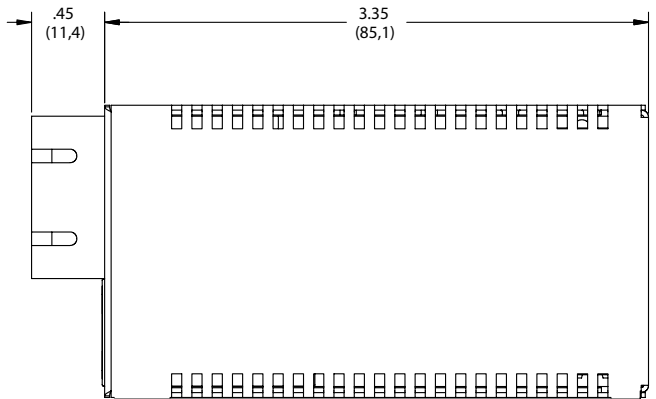
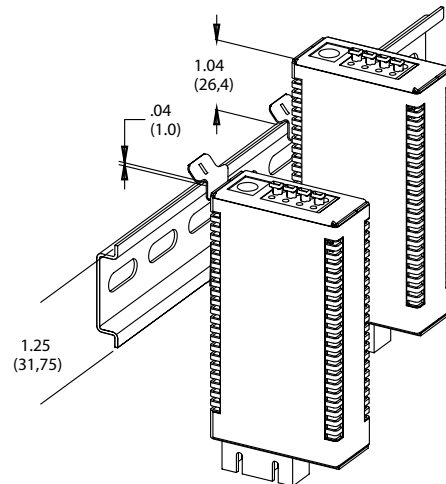
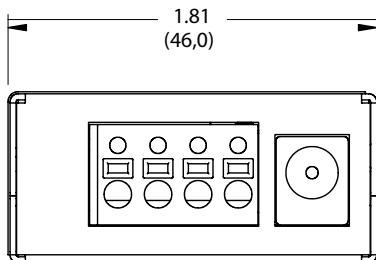
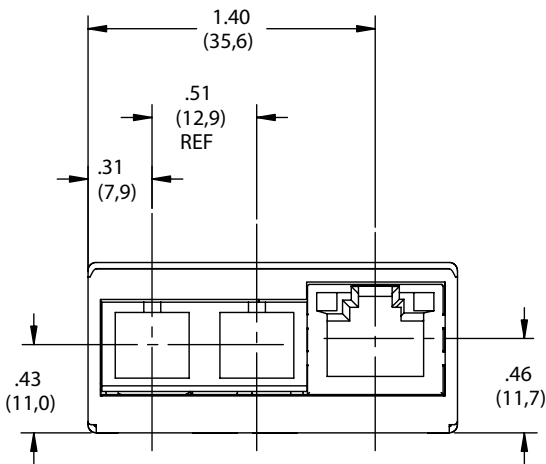
Operating Temperature: DC or PoE (PD)	-13° F to 185° F (-25° C to +85° C)
Operating Temperature: AC wall adapter	+14° F to +122° F (-10° C to +50° C)
Storage Temperature:	-31° F to +167° F (-35° C to +75° C)
Operating Humidity	5% to 95% (non-condensing)

### REGULATORY APPROVALS

FCC Class A (using DC terminal or PoE power)
FCC Class B (using any DC jack, optional)
UL/cUL, CSA, CE

## MECHANICAL DIAGRAM

(dimensions in inches & millimeters)



# Mouser Electronics

Authorized Distributor

Click to View Pricing, Inventory, Delivery & Lifecycle Information:

[B&B Electronics:](#)

[855-19202](#) [855-19210](#) [855-19204](#) [855-19213](#) [855-19212](#)