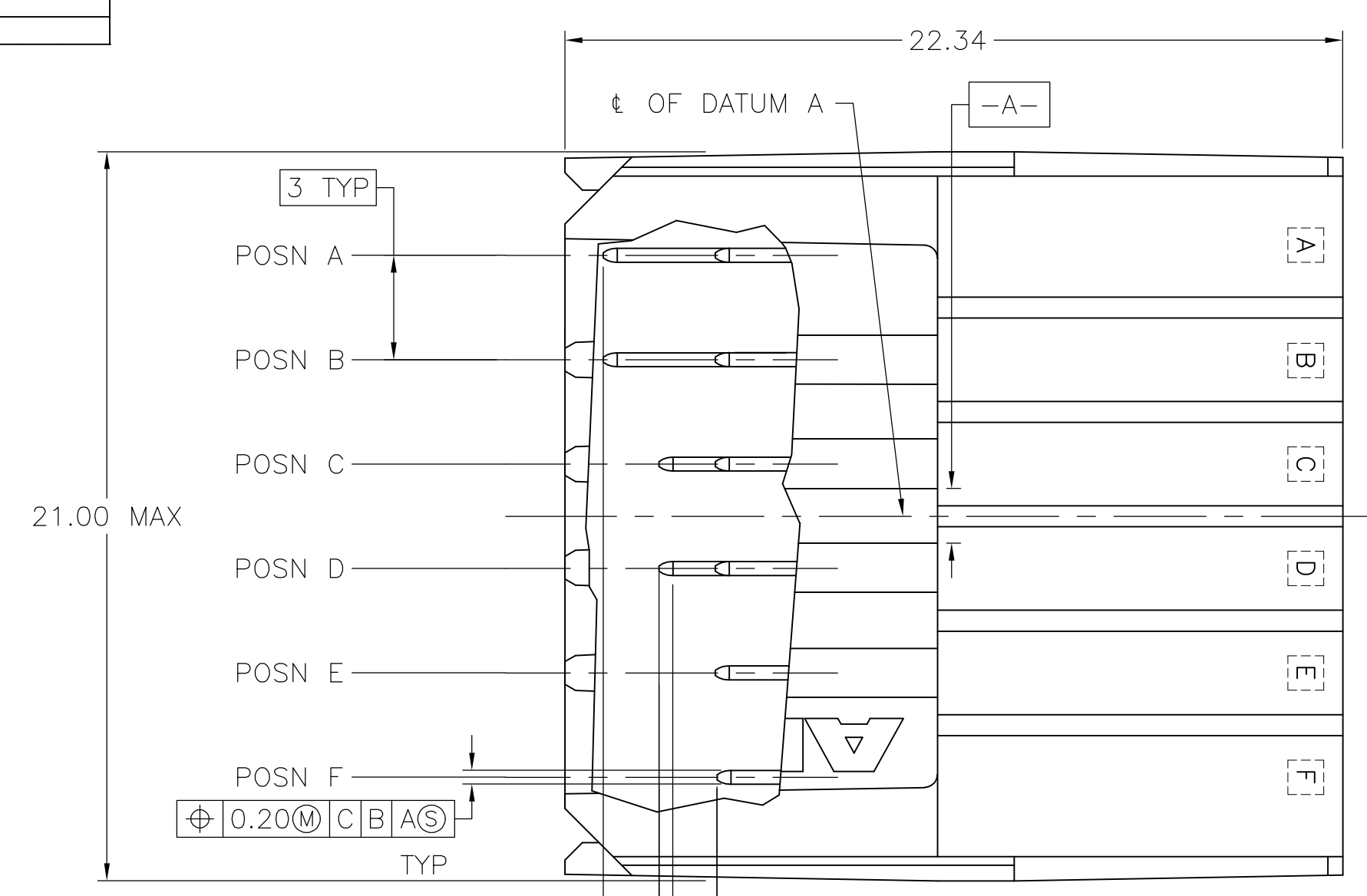
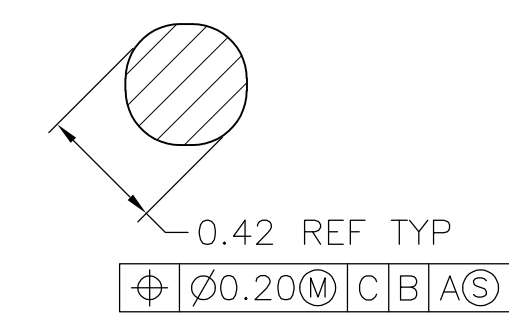


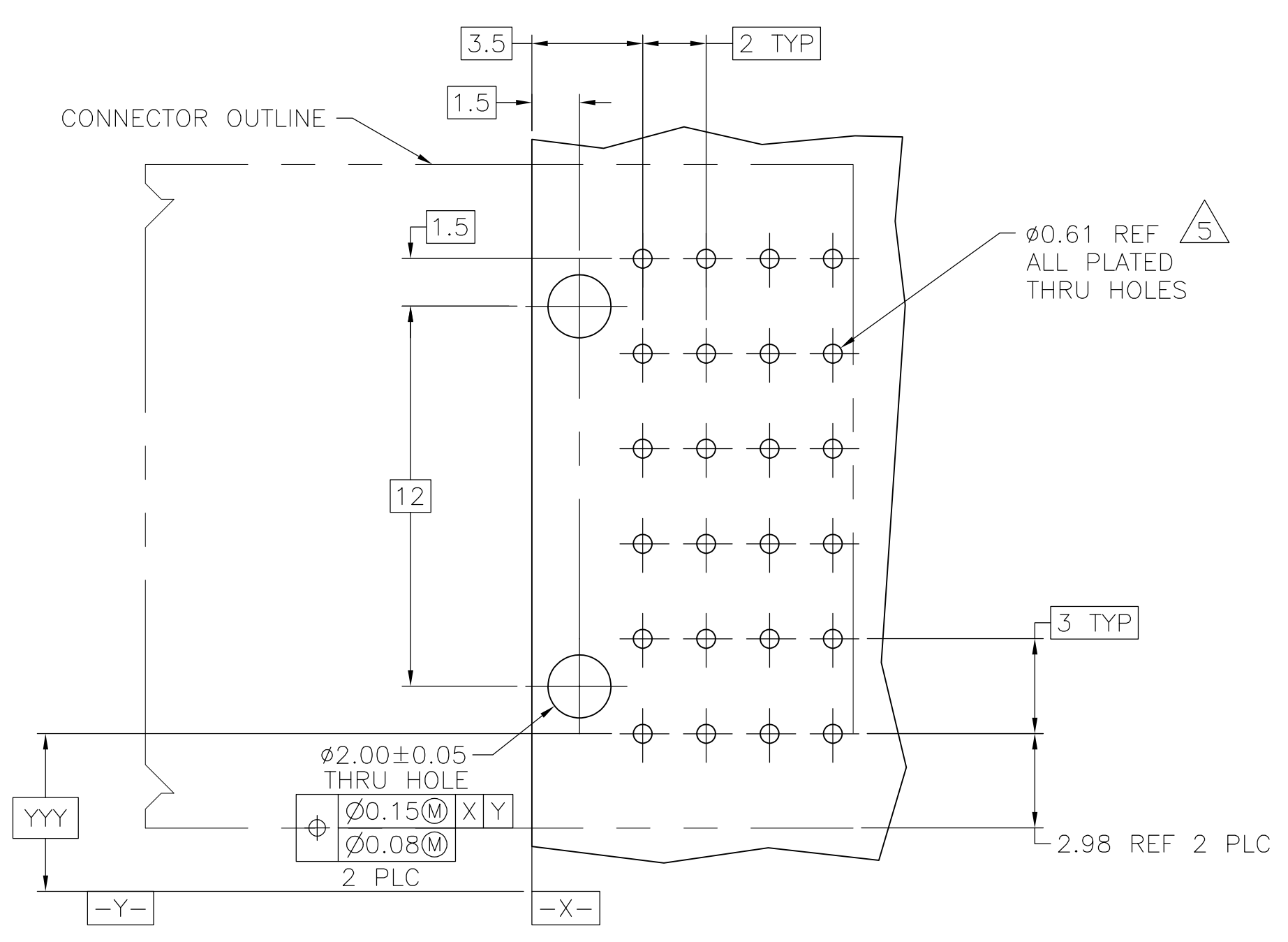
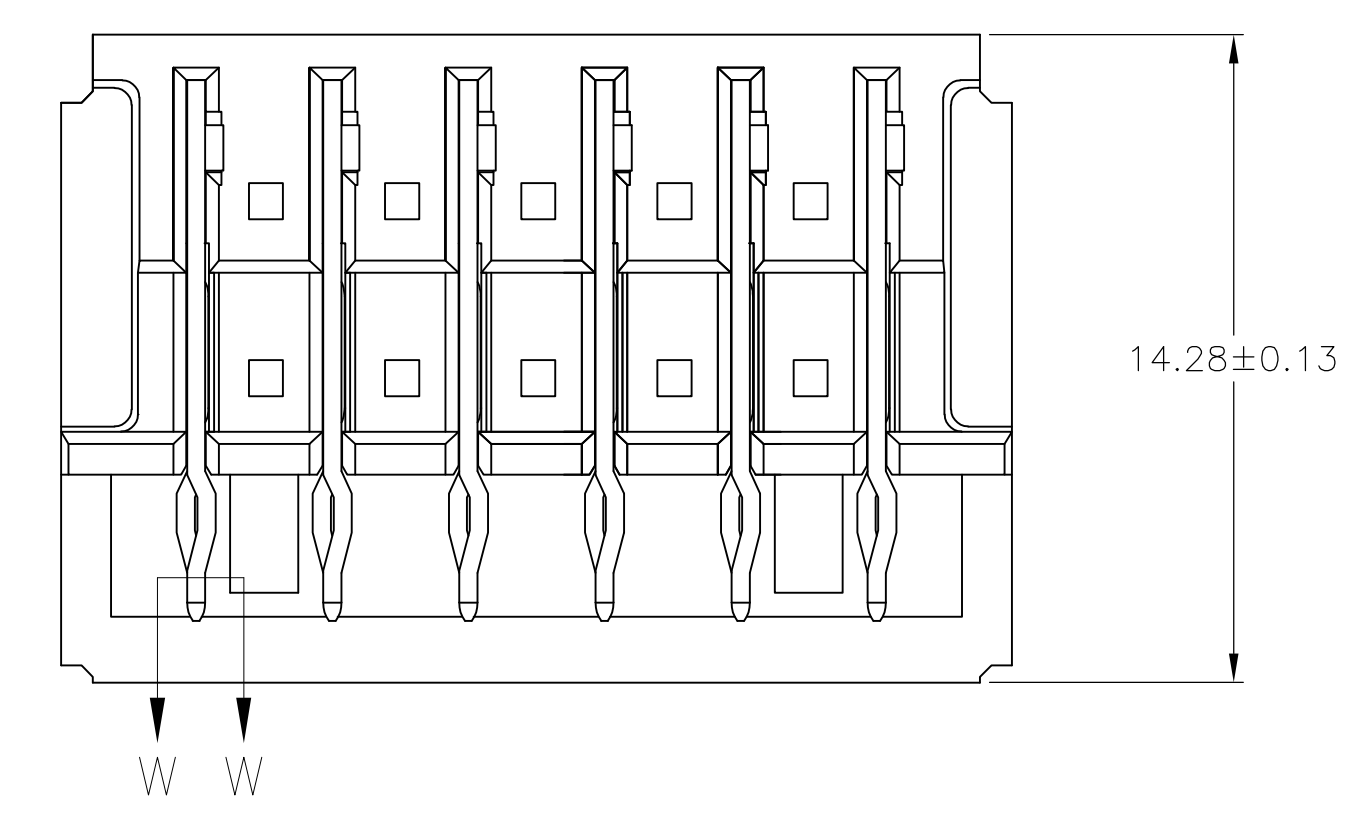
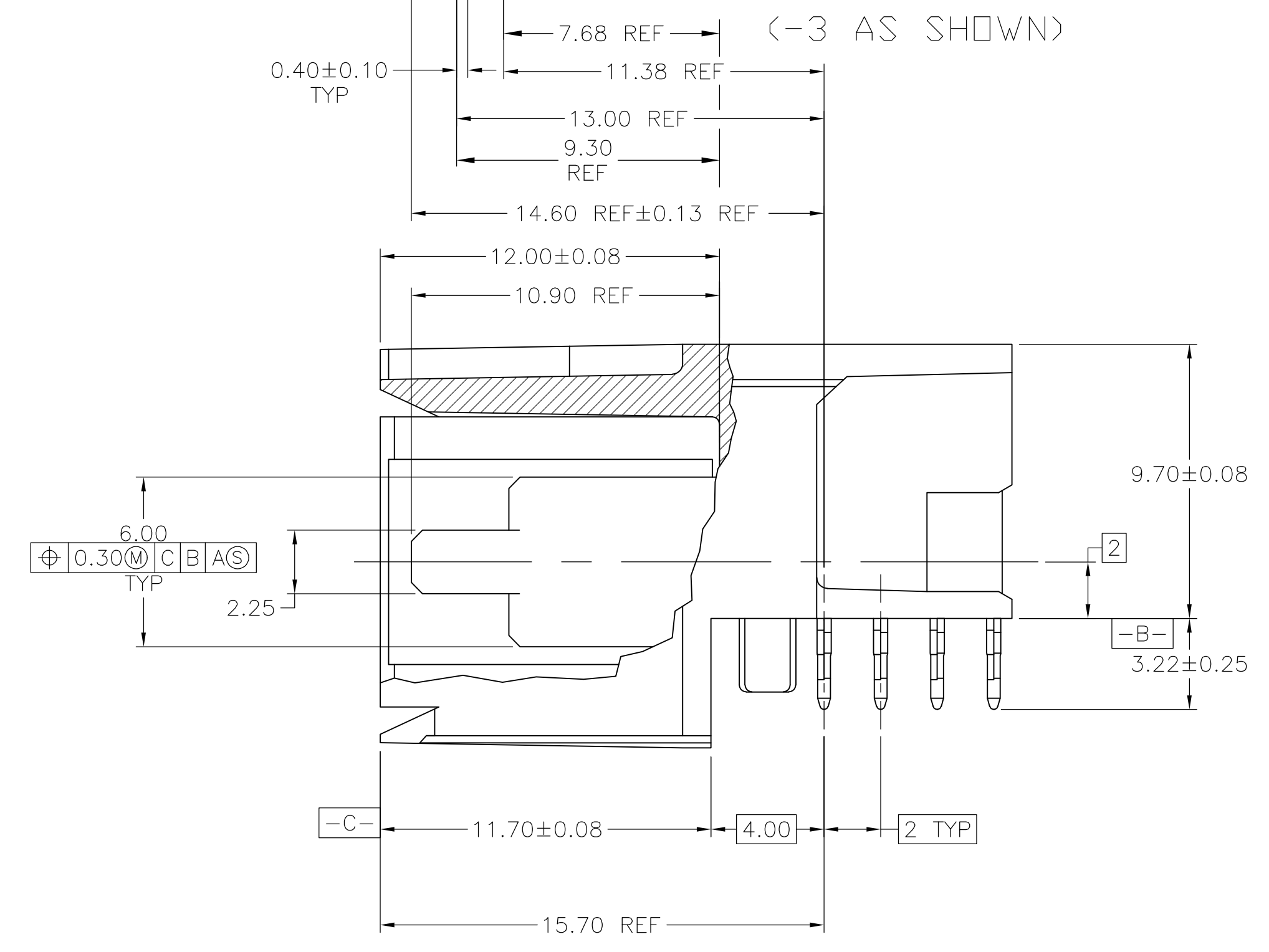
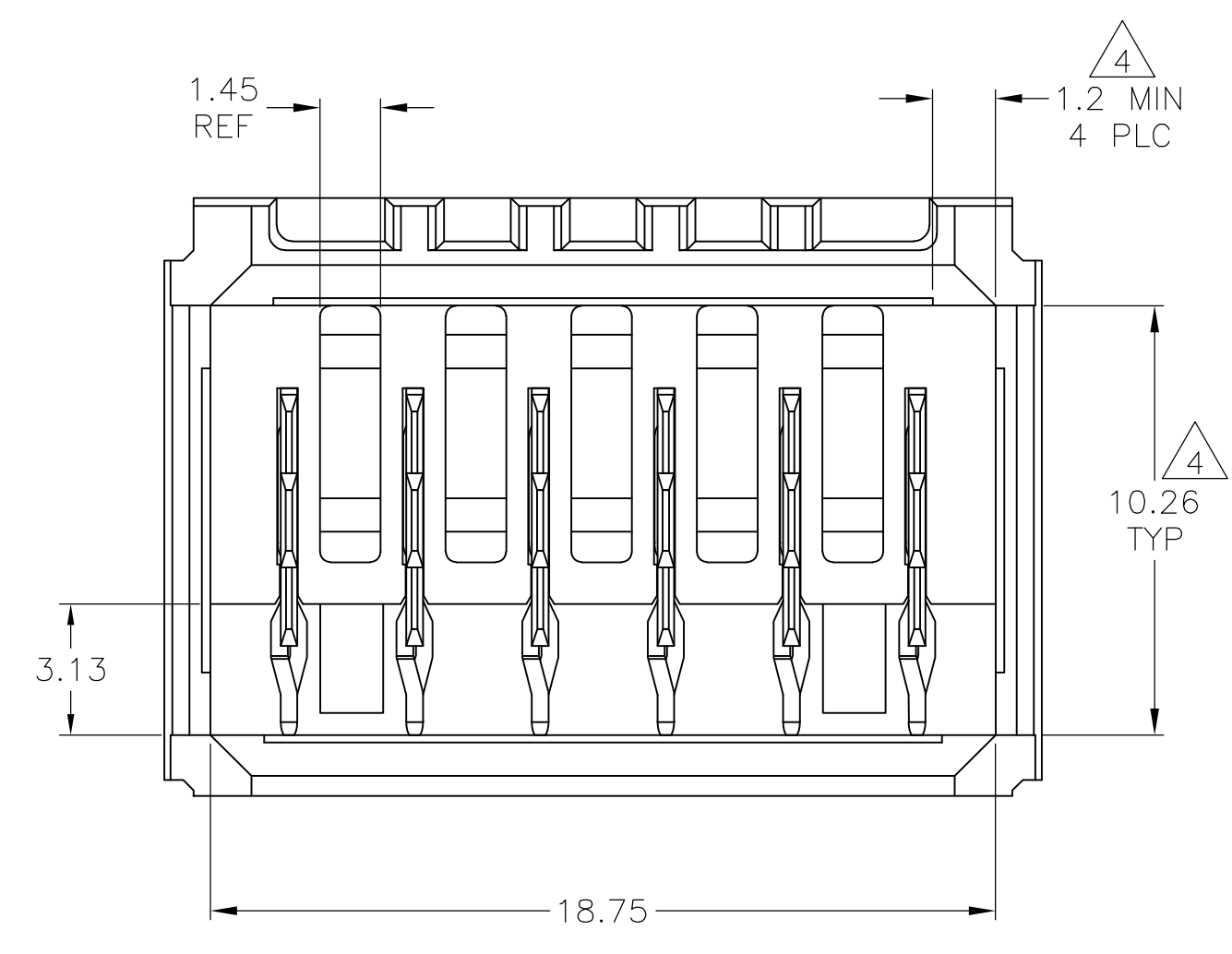
LOC		DIST		REVISIONS				
AD	00	REV	DATE	BY	CHKD	APVD		
E2		REVISED PER ECO-12-010077	01JUN12	KH	AS			



- 1 MATERIAL: HOUSING: POLYESTER. COLOR: GRAY. UL 94V-0. CONTACT: PHOSPHOR BRONZE.
- 2 FINISH: CONTACT MATING AREA: 1.27 μ m MIN GOLD OR 0.08 μ m MIN GOLD OVER 0.76 μ m MIN PALLADIUM-NICKEL. ACTION PIN AREA: 0.5 μ m MIN TIN PLATE, ALL OVER 1.27 μ m MIN NICKEL UNDERPLATE.
- 3 FINISH: CONTACT LUBRICATION WITH BELLCORE APPROVED LUBRICANT. TECHNICAL REFERENCE: GR-1217-CORE, ISSUE 1, NOVEMBER 1995.
- 4 THE 10.26 \pm 0.13 DIMENSION APPLIES IN THIS AREA.
- 5 REFERENCE APPLICATION SPEC 114-1103 FOR RECOMMENDED PLATED THRU HOLE DIAMETER AND PLATING THICKNESS.
- 6. CURRENT RATING 10A/CONTACT PER PRODUCT SPEC 108-1651.



SECTION W-W
SCALE 40:1



RECOMMENDED PCB HOLE LAYOUT

POSITIONS LOADED WITH 10.90 CONTACTS	POSITIONS LOADED WITH 9.30 CONTACTS	POSITIONS LOADED WITH 7.68 CONTACTS	NO OF LOADED POSITIONS	PART NUMBER
2,3	2,3	2,3	6	5646956-7
2,3	2,3	2,3	6	5646956-6
2,3	2,3	2,3	6	5646956-5
2,3	2,3	2,3	6	5646956-4
2,3	2,3	2,3	6	5646956-3
2,3	2,3	2,3	6	5646956-2
2,3	2,3	2,3	6	5646956-1

THIS DRAWING IS A CONTROLLED DOCUMENT.

DIMENSIONS:	TOLERANCES UNLESS OTHERWISE SPECIFIED:	DIN B CARBO 04JAN05	NAME
mm	0 PLC \pm -	CHK R PATTERSON 04JAN05	ASSEMBLY, RIGHT ANGLE HEADER, W/ RETENTION PEGS, UNIVERSAL POWER MODULE
	1 PLC \pm -	APVD R PATTERSON 04JAN05	SIZE
	2 PLC \pm 0.13	PRODUCT SPEC	SCALE 6:1
	3 PLC \pm -	APPLICATION SPEC	SHEET 1 OF 1
	4 PLC \pm -	WEIGHT	REV E2
	ANGLES \pm -	CUSTOMER DRAWING	

MATERIAL 1 FINISH 2

SIZE A1 00779 C=5646956