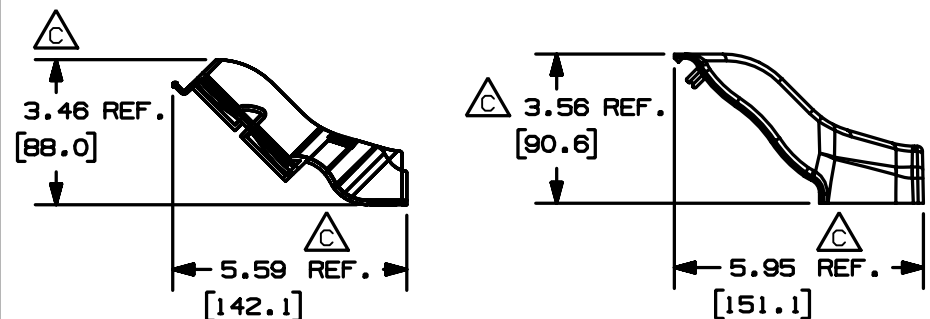
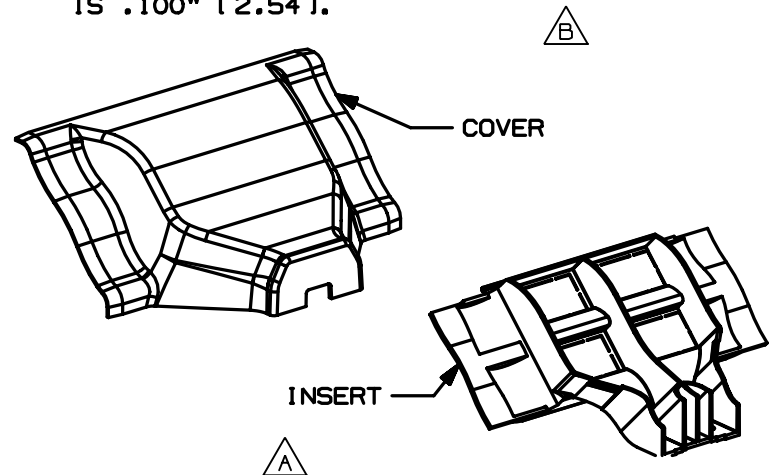
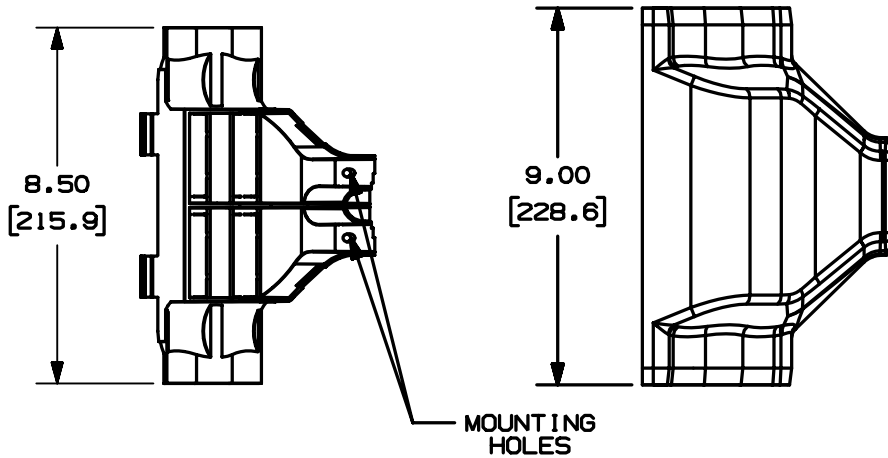


THIS COPY IS PROVIDED ON A RESTRICTED BASIS AND IS NOT TO BE USED IN ANY WAY DETRIMENTAL TO THE INTERESTS OF PANDUIT CORP.

PANDUIT PART NO.	WEIGHT
WCM35TR	.62 LBS [281.2 G]

- NOTES:
- SEE CURRENT CATALOG FOR ADDITIONAL PART NUMBER SUFFIXES TO INDICATE COLOR AND/OR PACKAGE QUANTITY.
 - THIS PRODUCT IS INTENDED TO BE USED WITH PANDUIT TYPE WCM35 RACEWAY.
 - THIS PRODUCT IS FEATURED WITH A 1" BEND RADIUS.
 - DIMENSIONS IN PARENTHESIS ARE IN METRIC.
 - NOMINAL WALL THICKNESS FOR INSERT AND COVER IS .100" [2.54].



3D FILENAME/LAYER D38040BD_DC_WCM35TR_01B.PRT

PANDUIT CORP. TINLEY PARK, ILLINOIS
3.5 INCH COVE MOLDING
TRANSITION FITTING (WCM35TR)
 CUSTOMER DRAWING

REV	DATE	BY	CHK	DESCRIPTION	ECN	CHK	CUST	SUP
2	11-06-03	JBN	BKR	C. REVISED DIMENSIONS TO REFERENCE	38040-03	RGRO	RGRO	
-	-----	---	---	RELEASED TO PRODUCTION	-----	-----	-----	
1	01-09-03	JBN	BKR	B. REVISED WORDING A. REVISED GEOMETRY	38040-03	RGRO	RGRO	
R	10-11-02	JHEP	BKR	DRAWING RELEASED				

UNLESS OTHERWISE SPECIFIED, DIMENSIONAL TOLERANCES ARE: (.X)± (,.XXX) ± .015 [.38] (.XX)± .03 [.8] ANGLES ±		UNLESS OTHERWISE SPECIFIED, ALL DIMENSIONS ARE GIVEN IN INCHES, THIRD ANGLE PROJECTION.	
DRAWN BY JHEP	MAT'L S: PVC	SCALE .25	
DATE 10-11-02		DRAWING NO. 38040-03	DWG A
CHK'D BKR			SIZE