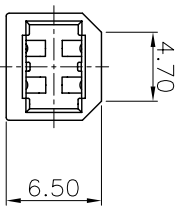
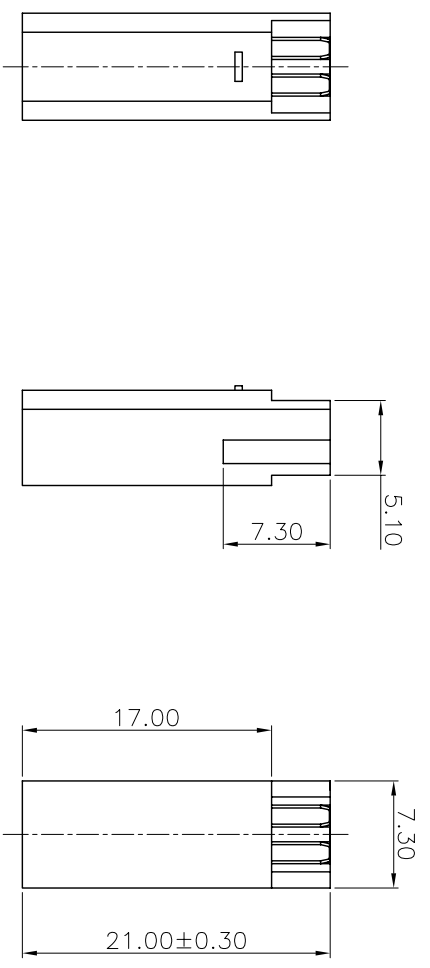
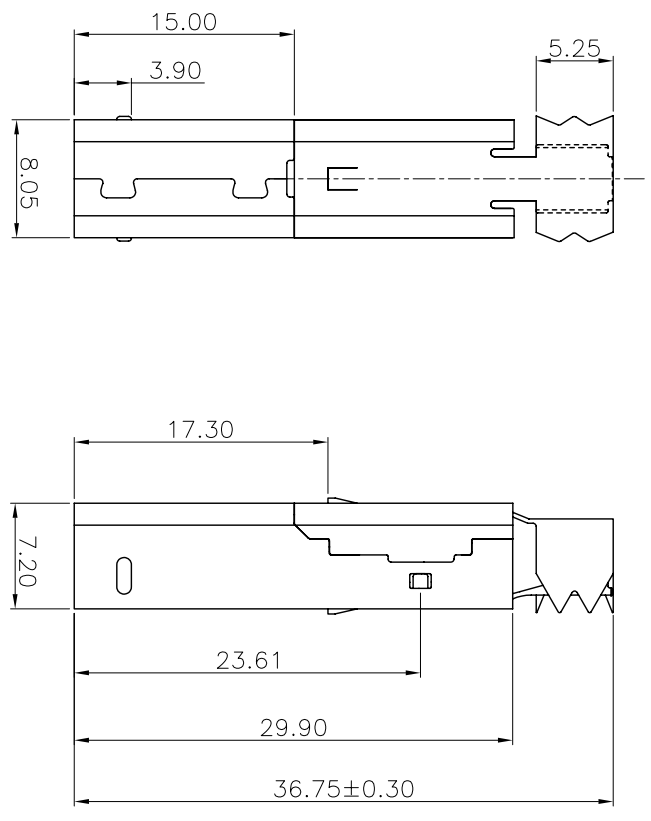


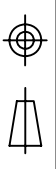
REV	ECN NO:	B Y	DATE
A1	NEW-DWG	ING	10/01/20

NOTE:
MATERIAL:
HOUSING: THERMOPLASTIC(PBT+GF)
CONTACT: BRASS
SHELL: SPCC
PLATING:
CONTACT: GOLD PLATING
SHELL: NICKEL PLATING
SPECIFICATION:
VOLTAGE RATING: 30V
CURRENT RATING: 1A
CONTACT RESISTANCE TERMINAL: 30mΩ MAX
DIELECTRIC WITHSTANDING VOLTAGE: 750V AC
INSULATION RESISTANCE: 1000MΩ MIN
PART NO.:



Cnc Tech, LLC

-TOLERANCES-
UNLESS OTHERWISE SPECIFIED



TITLE: USB 4P BM SOLDER

X.X	±0.38	X.X°	±2°	APPD:	PRODUCT NO: 1001-028-02300
X.XX	±0.25	X.XX°	±1°	CHECK:	DATE
X.XXX	±0.13	X.XXX°	±0.5°	DRAW:	SCALE
					UNIT
					MM
					TYPE
					Z
					PAGE
					1