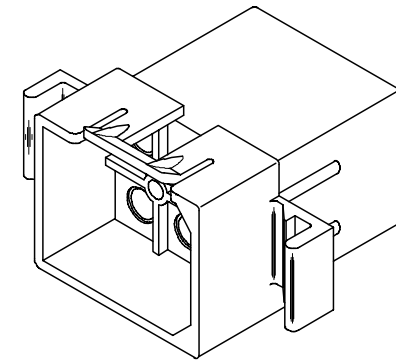
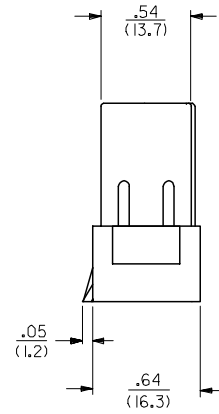
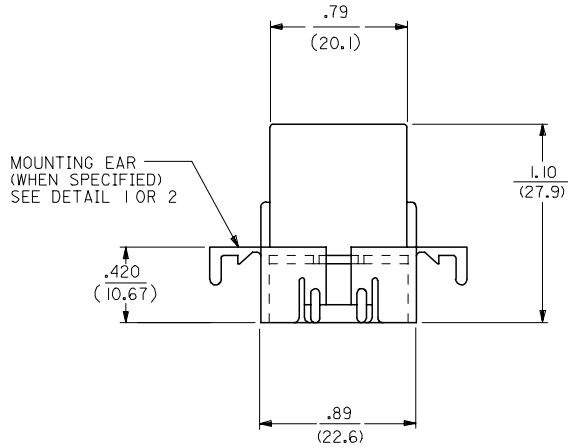
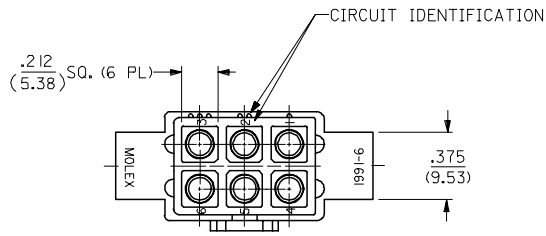
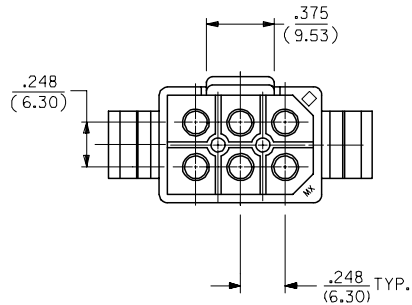


**PLUG**

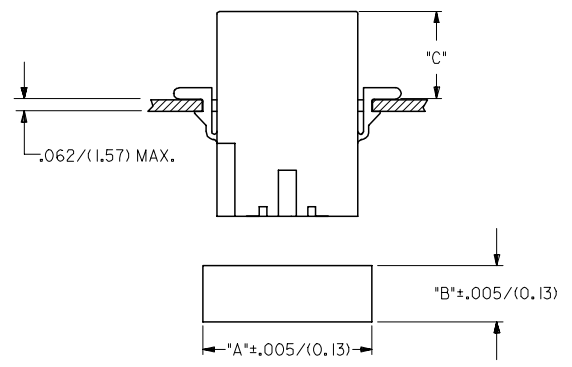


**PLUG HOUSING**



UPDATE TITLE BLOCK EC NO: UCP2007-1498 DRAWN: AELHAG 2007/04/04 CHKD: AELHAG 2007/04/04 APPR: FSM TH 2007/04/04 REV DESCRIPTION	QUALITY SYMBOLS	GENERAL TOLERANCES (UNLESS SPECIFIED)	DIMENSION STYLE	SCALE	DESIGN UNITS	THIRD ANGLE PROJECTION
	$\nabla=0$ $\nabla=0$	mm INCH 4 PLACES ± .010 ± .014 3 PLACES ± .010 ± .014 2 PLACES ± 0.25 ± .014 1 PLACE ± 0.36 ± .014 ANGULAR ± 1 °	IN/MM	2:1	INCH	TITLE .093/(2.36) HOUSINGS PLUG AND RECEPTACLE 6 CKT, .248/(6.30) CTRS.
		DRAFT WHERE APPLICABLE MUST REMAIN WITHIN DIMENSIONS	SEE CHART		MOLEX INCORPORATED SD-1991-6*	SHEET NO. 1 OF 3
					THIS DRAWING CONTAINS INFORMATION THAT IS PROPRIETARY TO MOLEX INCORPORATED AND SHOULD NOT BE USED WITHOUT WRITTEN PERMISSION	

PLUG			RECEPTACLE		
PART NO.	ENG. NO.	PKG. INFORMATION	PART NO.	ENG. NO.	PKG. INFORMATION
I9-09-2061	I991-6P	PK-1991-001	I9-09-1061	I991-6R	PK-1991-001
I9-09-2062	I991-6P1	PK-1991-001	I9-09-1062	I991-6R1	PK-1991-002
I9-09-7061	I991-6PBK	PK-1991-001	I9-09-6061	I991-6RBK	PK-1991-001
I9-09-7062	I991-6P1BK	PK-1991-001	I9-09-1068	I991-6R1-B	PK-1991-001

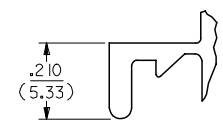


HOUSING	DIM. "A"	DIM. "B"	DIM."C" STD.EAR	DIM."C" PREBENT
PLUG	1.048/(26.62)	.658/(16.71)	.51/(12.9)	.52/(13.2)
RECEPTACLE	.946/(24.03)	.608/(15.44)	.53/(13.5)	.54/(13.7)

- NOTES:
- MATERIAL CODES:  
A - NYLON TYPE 6/6, UL 94V-2  
B - NYLON TYPE 6/6, UL 94V-0
  - FINISH: N/A
  - PRODUCT SPECIFICATION: PS-02-09
  - PACKAGING SPECIFICATION: SEE CHART
  - HOUSINGS FOR USE WITH MOLEX STD. .093/(2.36) TYPE TERMINALS.
  - PARTS CONFORM TO CLASS B REQUIREMENTS OF COSMETIC SPECIFICATION PS-45499-002.

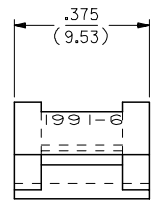
**LEGEND:**

- 1991-6\*\*\*\*-\*
- CIRCUIT SIZE
- P = PLUG  
R = RECEPTACLE
- BLANK = WITH STANDARD EARS  
1 = WITHOUT EARS  
2 = WITH PREBENT EARS, PER DETAIL 2
- COLOR: BLANK=NATURAL COLOR  
AM=AMBER BK=BLACK BU=BLUE  
BN=BROWN CY=GRAY GN=GREEN  
OR=ORANGE RD=RED YW=YELLOW
- BLANK = MATERIAL CODE A  
B = MATERIAL CODE B



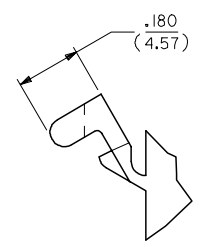
**DETAIL 1**

STANDARD MOUNTING EARS  
(SCALE 4:1)



**DETAIL 2**

PREBENT MOUNTING EAR  
(SCALE 4:1)



ADD NOTES 2,4&6 EC NO: UCP2007-1498 DRW:NAELHAG 2007/04/04 CHKD:AEHAG 2007/04/04 APPR:FSM TH 2007/04/04 REVISIONS DESCRIPTION	QUALITY SYMBOLS	GENERAL TOLERANCES (UNLESS SPECIFIED)	DIMENSION STYLE IN/MM	SCALE 2:1	DESIGN UNITS INCH	THIRD ANGLE PROJECTION																											
	$\nabla=0$ $\nabla=0$	<table border="1"> <tr> <th></th> <th>mm</th> <th>INCH</th> </tr> <tr> <td>4 PLACES</td> <td>± ---</td> <td>± ---</td> </tr> <tr> <td>3 PLACES</td> <td>± ---</td> <td>± .010</td> </tr> <tr> <td>2 PLACES</td> <td>± 0.25</td> <td>± .014</td> </tr> <tr> <td>1 PLACE</td> <td>± 0.36</td> <td>± ---</td> </tr> </table>		mm	INCH	4 PLACES	± ---	± ---	3 PLACES	± ---	± .010	2 PLACES	± 0.25	± .014	1 PLACE	± 0.36	± ---	<table border="1"> <tr> <th>DRAWN BY</th> <th>DATE</th> </tr> <tr> <td>JJS</td> <td>1988/03/01</td> </tr> <tr> <th>CHECKED BY</th> <th>DATE</th> </tr> <tr> <td>RW</td> <td>1988/03/01</td> </tr> <tr> <th>APPROVED BY</th> <th>DATE</th> </tr> <tr> <td>RAS</td> <td>1988/03/01</td> </tr> </table>	DRAWN BY	DATE	JJS	1988/03/01	CHECKED BY	DATE	RW	1988/03/01	APPROVED BY	DATE	RAS	1988/03/01	TITLE .093/(2.36) HOUSINGS, PLUG AND RECEPTACLE, 6 CKT, .248/(6.30) CTRS.		
		mm	INCH																														
	4 PLACES	± ---	± ---																														
3 PLACES	± ---	± .010																															
2 PLACES	± 0.25	± .014																															
1 PLACE	± 0.36	± ---																															
DRAWN BY	DATE																																
JJS	1988/03/01																																
CHECKED BY	DATE																																
RW	1988/03/01																																
APPROVED BY	DATE																																
RAS	1988/03/01																																
DRAFT WHERE APPLICABLE MUST REMAIN WITHIN DIMENSIONS	SEE CHART	MATERIAL NO. SD-1991-6*	DOCUMENT NO.	SHEET NO. 3 OF 3																													