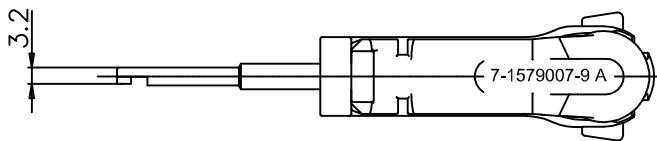
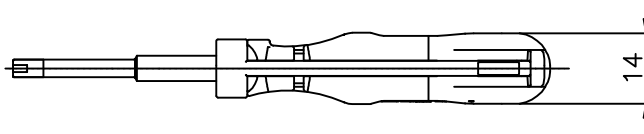
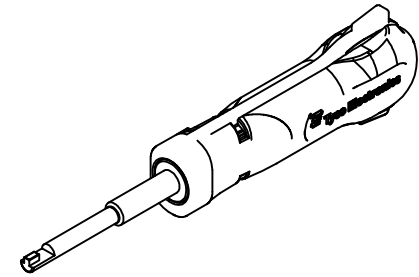
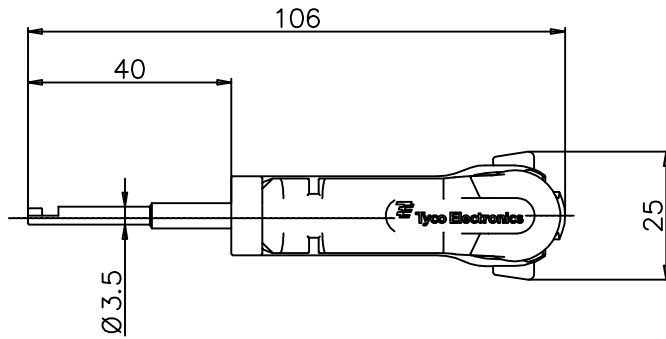


THIS DRAWING IS UNPUBLISHED. RELEASED FOR PUBLICATION
 © COPYRIGHT - BY TYCO ELECTRONICS CORPORATION. ALL INTERNATIONAL RIGHTS RESERVED.

LOC	DIST	REVISIONS				
P	LTR	DESCRIPTION	DATE	DWN	APVD	
	A	INITIAL REVISION	17DEC09	LS	GS	



APPLICATION RANGE / Anwendungsbereich :

FOR MQS CONTACT: **962886 and 965908**

MQS HOUSING 8/12 POL.: **929346 and 929342**

THIS DRAWING IS A CONTROLLED DOCUMENT.		DWN L. Sandhu 17DEC09	Tyco Electronics AMP GmbH 64625 Bensheim (Germany)	
DIMENSIONS: mm		CHK G. Stegamyer 17DEC09	NAME EXTRACTION TOOL Entriegelungswerkzeug	
TOLERANCES UNLESS OTHERWISE SPECIFIED:		APVD G. Stegamyer 17DEC09	PRODUCT SPEC —	
<ul style="list-style-type: none"> 0 PLC ± - 1 PLC ± - 2 PLC ± - 3 PLC ± - 4 PLC ± - ANGLES ± - 		APPLICATION SPEC —	RESTRICTED TO —	
MATERIAL		WEIGHT	SIZE A3	CAGE CODE 00779
FINISH		DRAWING NO 7-1579007-9		SCALE 1:1
CUSTOMER DRAWING			SHEET 1 of 1	REV A