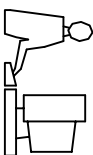


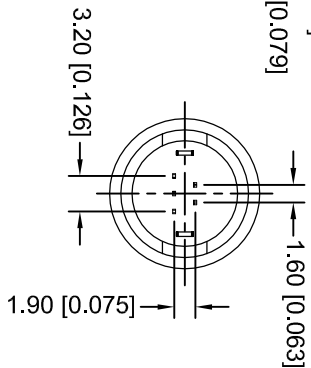
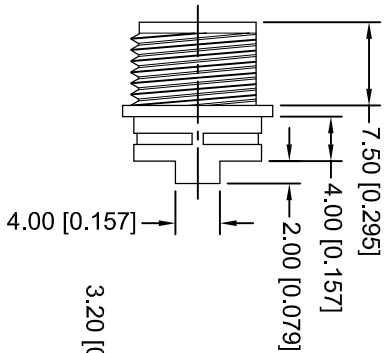
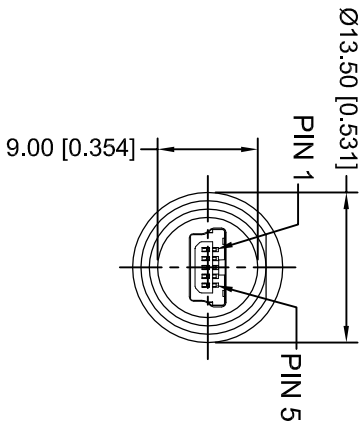
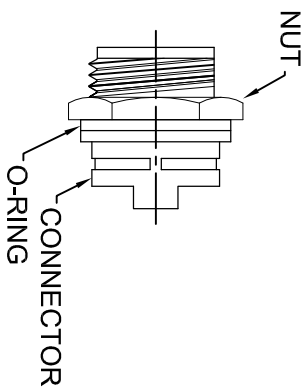
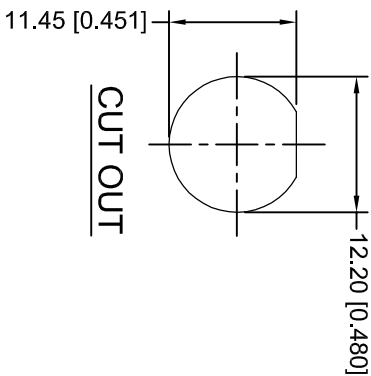
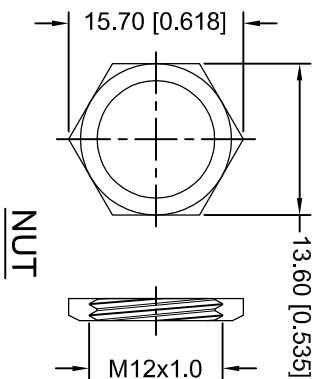
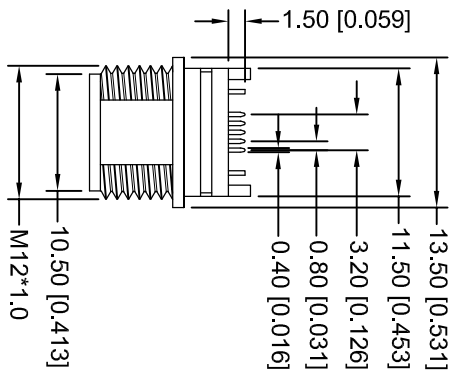
TOLERANCE UNLESS OTHERWISE SPECIFIED IN MM:
 0.0
 0.00
 0.000

ANGLE °

THIS IS A C.A.D. GENERATED DRAWING
 DO NOT MAKE MANUAL REVISIONS TO MASTER.



ISSUE NUMBER	①
ORIGINAL	①
ADD IN NOTES RATED CURRENT & VOLTAGE	②
R.STA/MONICA	APR.27/2016



1. MATERIAL :

- 1-1. HOUSING : LCP UL94V-0 ; COLOR : BLACK
- 1-2. CONTACT : PHOSPHOR BRONZE
- 1-3. SHELL : BRASS

2. PARTS

- 2-1. EXTERNAL NUT : PBT UL 94V-0 ; COLOR : BLACK
- 2-2. O-RING : EPDM (1.5*9.5) ; COLOR : BLACK.

3. PLATING

- 3-1. CONTACT : GOLD PLATING ON CONTACT AREA BRIGHT TIN ON SOLDER AREA
- 3-2. SHELL : NICKEL PLATING ON OVER ALL

4. SPECIFICATIONS :

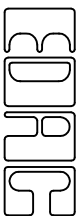
- 4-1. Water proof: IP67
- 4-2. Rated Current: 1A
- 4-3. Rated Voltage: 30V

5. OPERATING TEMPERATURE:-25C TO +85C



THIS SERIES FULLY CONFORMS TO THE EUROPEAN UNION DIRECTIVES 2011/65/EU FOR ROHS COMPLIANCY.

WATERPROOF MINI USB TYPE B, 5P (FEMALE)



EDAC INC
 TORONTO, ONTARIO
 CANADA

YOUR CONNECTION TO QUALITY & SERVICE

THESE DRAWINGS AND SPECIFICATIONS ARE THE PROPERTY OF EDAC INC. AND SHALL NOT BE REPRODUCED OR COPIED OR USED AS THE BASIS FOR THE MANUFACTURE OR SALE OF APPARATUS WITHOUT WRITTEN PERMISSION.

ACAD REFERENCE NO.: 690-W05-260-044

DRAWN: R.STA/MONICA DATE: MAY.01/2014

CHECKED: DATE:

PART NUMBER 690-W05-260-044

DRAWING NUMBER 690-W05-260-044 SHEET 1 OF 1

ISSUE 2